

*pulsar* DTS-i  
220

 **BAJAJ**  
Distinctly Ahead

*pulsar* DTS-i  
220

Bajaj Auto Limited  
Akurdi Pune 411 035 India  
Tel +91 20 27472851  
Fax +91 20 27407385  
www.bajajauto.com

# Spare Parts Catalogue

(For 220 S & F)



All information contained in this manual is based on the latest product information at the time of publication. Bajaj Auto Limited accepts no liability for any inaccuracies or omissions in this publication, although every possible care has been taken to make it as complete and accurate as possible. All procedures and specifications subject to change without prior notice. The right is reserved to make such changes at any time without prior notice and without incurring an obligation to make such changes to product manufactured previously. Contact authorized Bajaj Dealer for the latest information on product improvements incorporated after this manual was issued.

DOC. NO.: 71111247

REV. 02 MAY 14



We have pleasure in presenting the Spare Parts Catalogue for 'Pulsar 220 for full Fairing (F) & Small Fairing (S)' Models. This catalogue has been specially designed to assist you in selecting the correct parts for procurement to maintain 100% availability.

The Bajaj spares are subjected to the stringent quality control standards to ensure longer life of the vehicle. It is therefore necessary that only the Genuine Bajaj Spares are used.

In a continual effort to improve Performance and Efficiency of the vehicles, Specifications, Diagrams, Illustrations and Part Numbers can change without notice. Consequently, the description in this Spare Parts Catalogue cannot therefore be final and binding on us.

The modifications / alterations which are carried out after the issue of this catalogue, will be conveyed to you through our Service Circulars. You are requested to make necessary corrections in the Parts Catalogue as per the circulars so as to keep your catalogue up-to-date. This will ensure the appropriate and speedy delivery of the Spare Parts as the order placed will bear the latest part numbers.

In case, if you need any technical assistance contact the concerned Regional Office or write to us on the following address :

Bajaj Auto Limited  
Service Department  
Akurdi, Pune 411 035 India  
Phone : 020-27406557  
Fax : 020-27407385

1. How to Read the Catalogue : Open the catalogue and from the pictorial index locate the group in which the part you want to find is present. Turn over to the concerned page number (as given by pictorial index). Now find out the figure of the part you wish to order. Write down the part number against that particular figure number from the text.

In case, if you have the part number and you need the other details, the part index can be used. The part index (at the end of the catalogue) will give you the figure and page number of the part you wish to order.

2. How to Order Spare Parts : The part number and the description of the part required should be invariably mentioned in the order as per the catalogue text.

The latest part number as conveyed through our service circulars should only appear on the order. In case of ordering painted components, colour shade of the components should be mentioned.

The quantity shown against the part number is the quantity per vehicle for that group so that particular quantity should be multiplied by the number of sets required.

3. Part Number System: We have used 8 digit system for part numbers. The model or hardware item is indicated by first two digits or alphanumeric, the next two or four digits indicate main group and the last four or two digits indicate serial number in main group or serial number or subgroup of fastener respectively. Thus the part numbers will be indicated by 2-2-4 or 2-4-2 digit system. Understanding this system will enable you to identify the spare parts easily.

4. Abbreviations : The following abbreviations are used in this catalogue.

assly.	Assembly	V	Volts
N.I.	Not illustrated	W	Watts
C'case	Crankcase	accl.	Accelerator
Cyl	Cylinder	Comp.	Complete
o/s.	Over size	Fr	Front
Std.	Standard	L	Length
A/t.	Alternate	Rr	Rear
R.H.	Right hand	Hex.	Hexagonal
L.H.	Left hand	AR	As required

## INDEX

No.	Description	Page No.	No.	Description	Page No.
1	Cover Cylinder Head	1	36	Rear Disc Brake	42
2	Cylinder Head	2	37	Rear Master Cylinder	43
3	Valve	3	38	Rear Caliper	44
4	Camshaft / Tensioner	4	39	Rear Brake Pedal	45
5	Cylinder & Piston	5	40	Handle Bar	46&47
6	Crankshaft	6	41	Front Fork	48&49
7	Balancer & Balancer Idler Gear	7	42	Painted Parts & Decals (For S)	50-51
8	Transmission	8&9	43	Painted Parts & Decals (Exl. S)	52-53
9	Change Drum/ Shift Fork	10	44	Cap Tank & Gauge Fuel	54
10	Gear Change Mechanism	11	45	Fitting - Petrol Tank, Side Cover & Cover seat	55
11	Engine Assly & Crankcase RH	12	46	Meter Assly.	56
12	Crankcase LH	13&14	47	Control Cables	57
13	Cover RH	15&16	48	Chain Case	58
14	Cover Magneto	17	49	Head Lamp & Fairing	59
15	Clutch	18&19	50	Indicator Light Assly.	60
16	Carburetor	20	51	Fearing & Mounting	61&62
17	Oil Coller Assly	21	52	Tail Lamp Assly / Front & Rear No. Plate	63
18	Air Cleaner Comp.	22	53	Electrical Equipments	64&65
19	Silencer Assly	23	54	Tool Kit	66
20	Seat Assly. / Seat Lock	24	55	Accessories / Grab Handle	67
21	Oil Pump	25		Kits List	68&70
22	Magneto/C.D.I./H.T.Coil	26&27		Amendment Sheet(Parts Added)	71
23	Starter Assly	28		Amendment Sheet(Parts Deleted)	72
24	Engine Mountings	29		Part Index	73
25	Frame & Frame fitting	30			
26	Swing Arm / Rear Shock Absorber	31			
27	Rider Foot rest	32			
28	Pillion Foot rest / Holder	33			
29	Mudguard Front & Rear	34			
30	Stand Assembly	35			
31	Tyre/ Tube /Rim	36			
32	Front Hub	37			
33	Front Master Cylinder	38			
34	Front Disc Brake	39			
35	Rear Hub	40&41			

## PICTORIAL INDEX

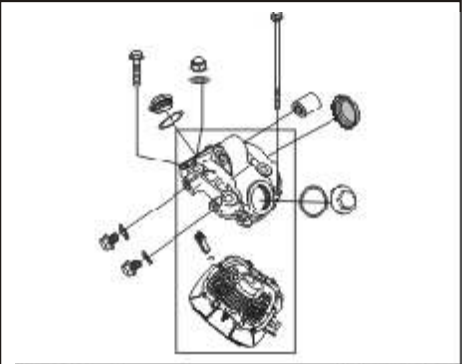
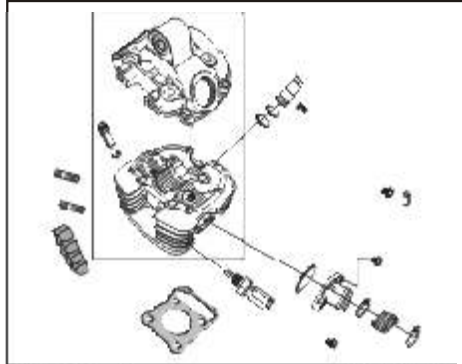
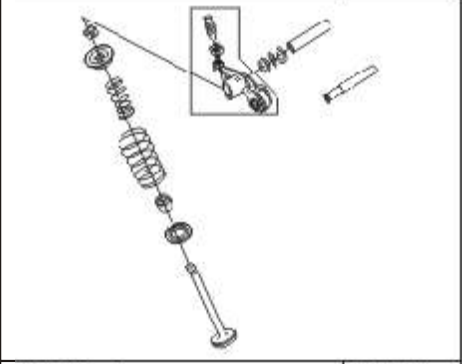
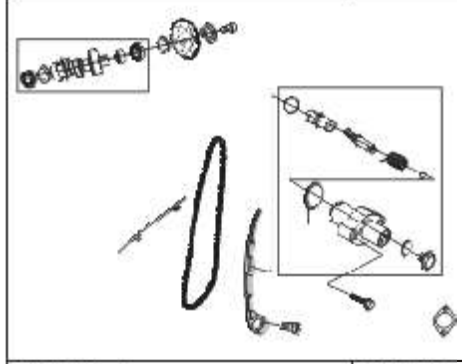
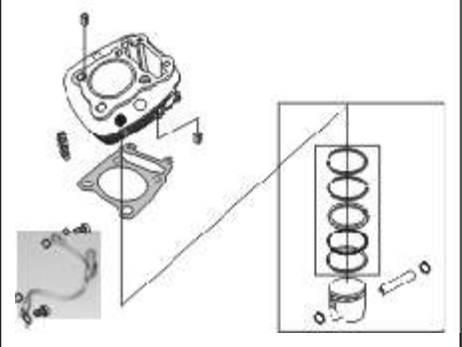
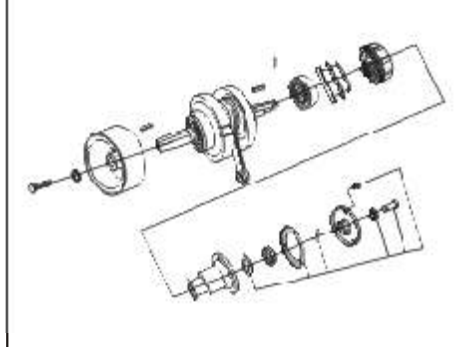
PLATE NO. : 1	PAGE NO.:	PLATE NO. : 2	PAGE NO.:
COVER CYLINDER HEAD	1	CYLINDER HEAD	2
			
PLATE NO. : 3	PAGE NO.:	PLATE NO. : 4	PAGE NO.:
VALVE	3	CAMSHAFT / TENSIONER	4
			
PLATE NO. : 5	PAGE NO.:	PLATE NO. : 6	PAGE NO.:
CYLINDER AND PISTON	6	CARNKSHAFT	6
			

PLATE NO. : 7 BALANCER AND BALANCER IDLER GEAR	PAGE NO.: 7
--	----------------

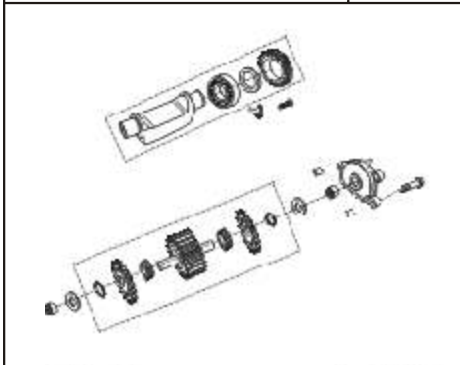


PLATE NO. : 9 CHANGE DRUM / SHIFT FORK	PAGE NO.: 10
---	-----------------

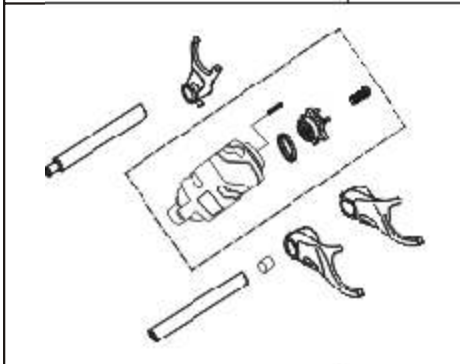


PLATE NO. : 11 ENGINE ASSLY. & CRANKCASE RH	PAGE NO.: 12
--	-----------------

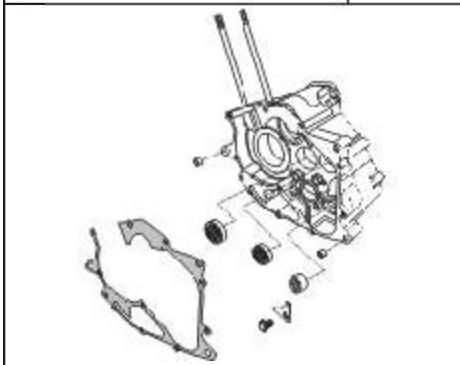


PLATE NO. : 8 TRANSMISSION	PAGE NO.: 8 & 9
-------------------------------	--------------------

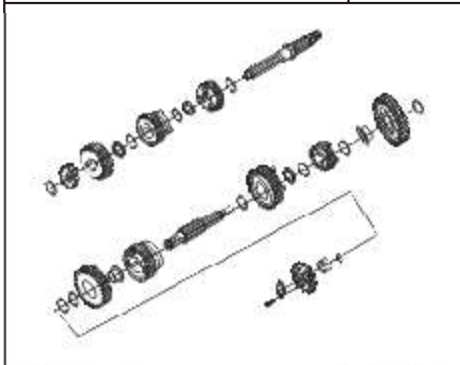


PLATE NO. : 10 GEAR CHANGE MECHANISM	PAGE NO.: 11
---	-----------------

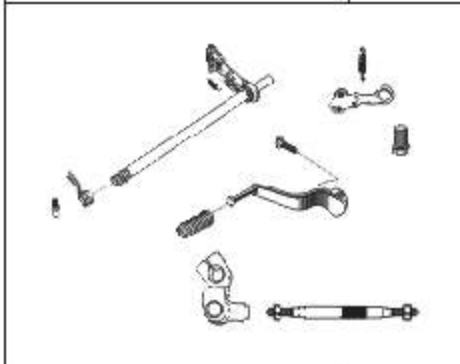


PLATE NO. : 12 CRANKCASE LH	PAGE NO.: 13 & 14
--------------------------------	----------------------

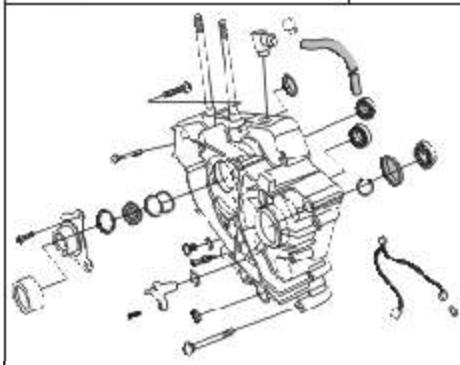


PLATE NO. : 13 COVER RH	PAGE NO.: 15 & 16
----------------------------	----------------------

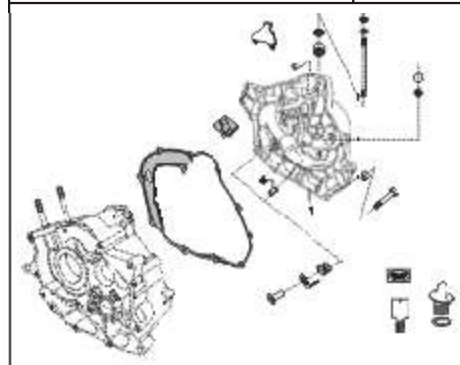


PLATE NO. : 16 CLUTCH	PAGE NO.: 18 & 19
--------------------------	----------------------

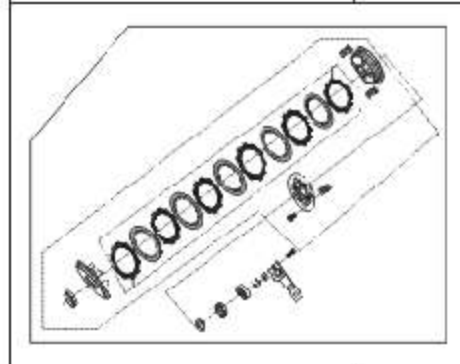


PLATE NO. : 17 OIL COOLER ASSLY.	PAGE NO.: 21
-------------------------------------	-----------------

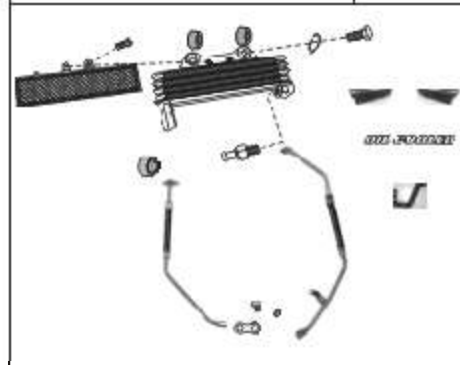


PLATE NO. : 14 COVER MAGNETO	PAGE NO.: 17
---------------------------------	-----------------

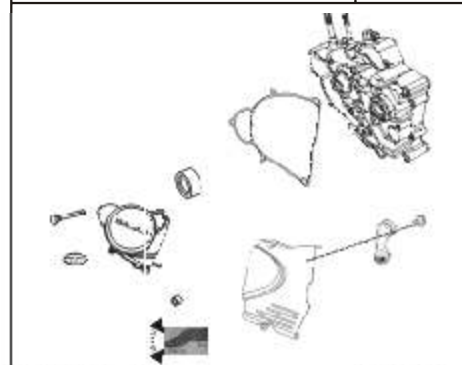


PLATE NO. : 18 CARBURETTOR	PAGE NO.: 20
-------------------------------	-----------------

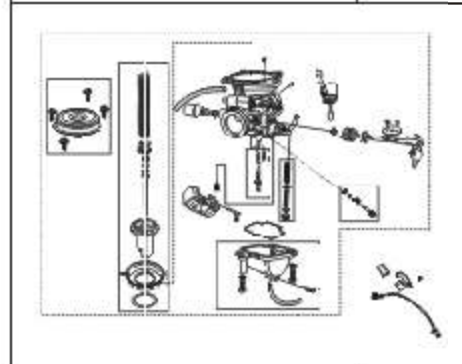


PLATE NO. : 19 AIR CLEANER COMP.	PAGE NO.: 22
-------------------------------------	-----------------

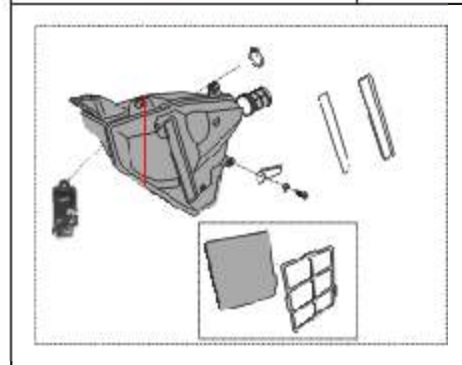


PLATE NO. : 19	PAGE NO.:
SILENCER ASSLY.	23

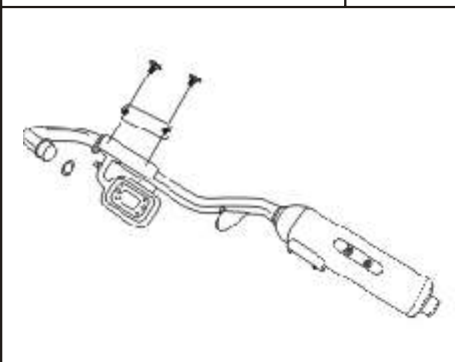


PLATE NO. : 21	PAGE NO.:
OIL PUMP	26

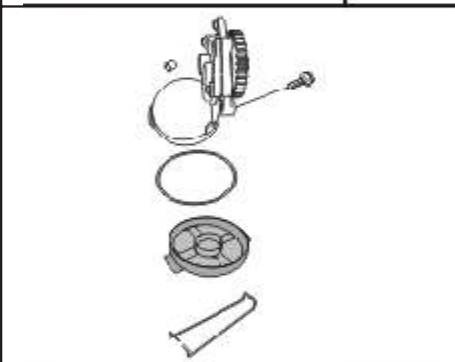


PLATE NO. : 23	PAGE NO.:
STARTER ASSLY.	28

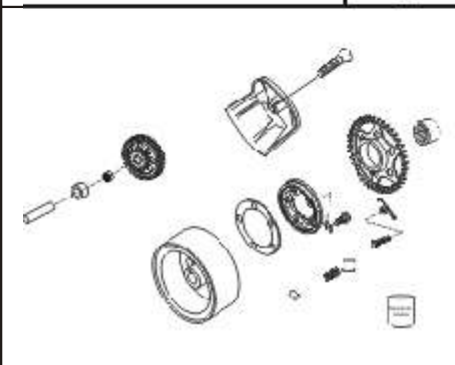


PLATE NO. : 20	PAGE NO.:
SEAT ASSLY. / SEAT LOCK	24

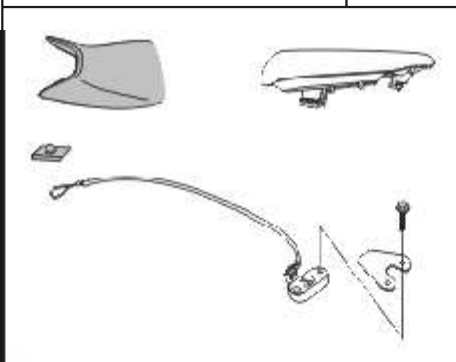


PLATE NO. : 22	PAGE NO.:
MAGNETO / C.D.I./H.T. COIL	26 & 27

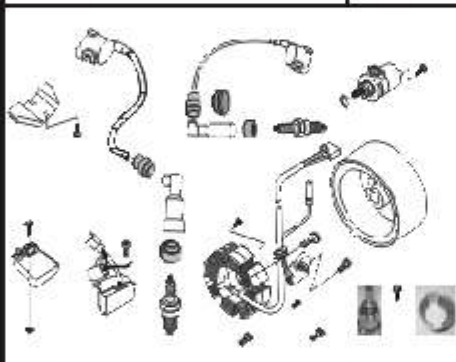


PLATE NO. : 24	PAGE NO.:
ENGINE MOUNTINGS	29

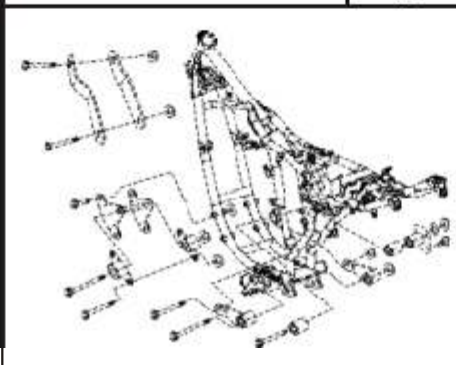


PLATE NO. : 25	PAGE NO.:
FRAME & FRAME FITTINGS	30

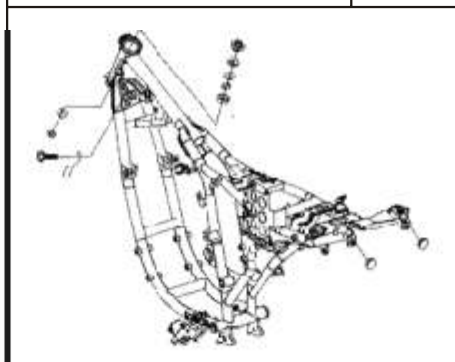


PLATE NO. : 27	PAGE NO.:
RIDDER FOOT REST	32

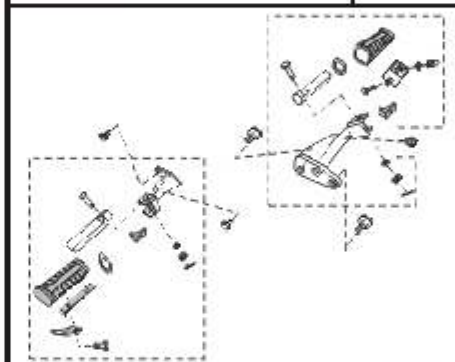


PLATE NO. : 29	PAGE NO.:
MUDGUARD FRONT & REAR	34

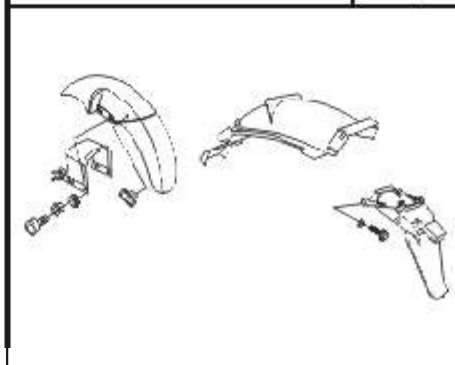


PLATE NO. : 26	PAGE NO.:
SWING ARM / REAR SHOCK ABSORBER	31

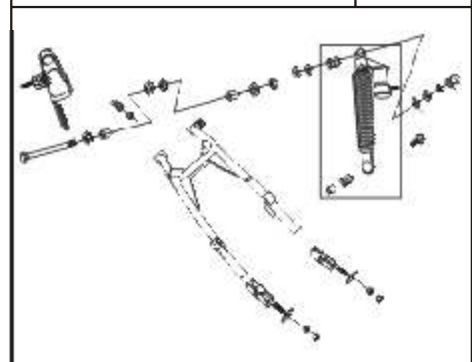


PLATE NO. : 28	PAGE NO.:
PILLION FOOT REST / HOLDER	33

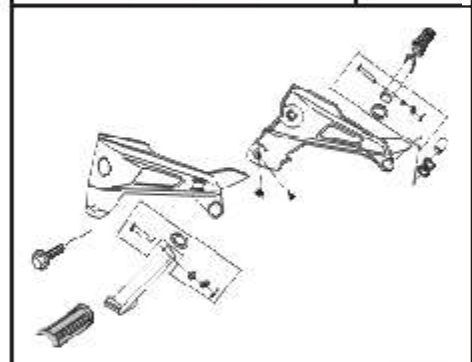


PLATE NO. : 30	PAGE NO.:
STAND ASSEMBLY	36

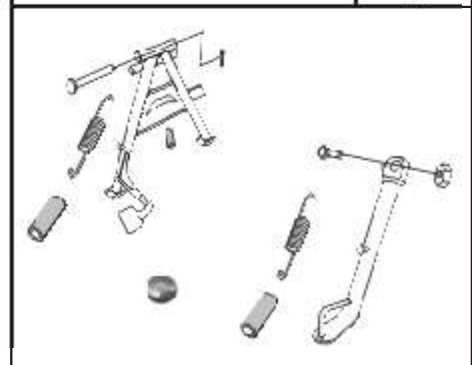


PLATE NO. : 31 TYRE / TUBE / RIM	PAGE NO.: 36
-------------------------------------	-----------------



PLATE NO. : 33 FRONT MASTER CYLINDER	PAGE NO.: 38
---	-----------------

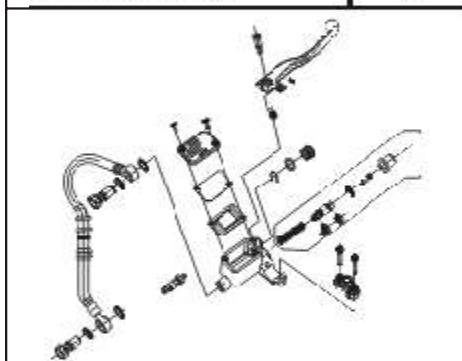


PLATE NO. : 35 REAR HUB	PAGE NO.: 40-41
----------------------------	--------------------

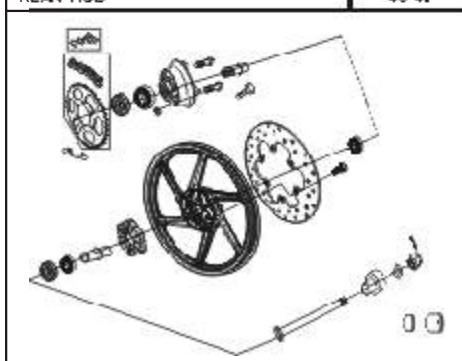


PLATE NO. : 32 FRONT HUB	PAGE NO.: 37
-----------------------------	-----------------

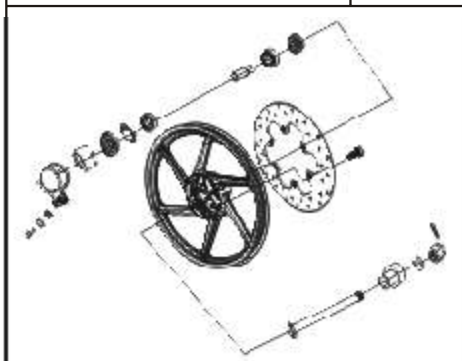


PLATE NO. : 34 FRONT DISC BRAKE	PAGE NO.: 39
------------------------------------	-----------------

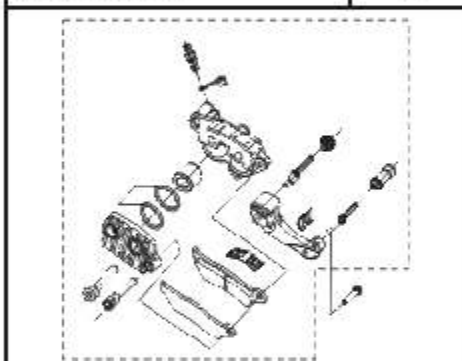


PLATE NO. : 36 REAR DISC BRAKE	PAGE NO.: 42
-----------------------------------	-----------------

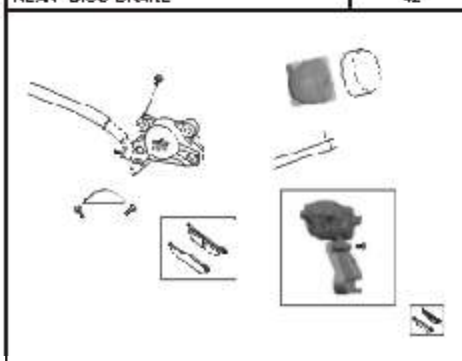


PLATE NO. : 37 REAR MASTER CYLINDER	PAGE NO.: 43
--	-----------------

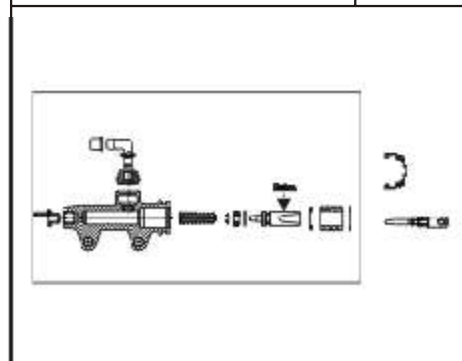


PLATE NO. : 39 REAR BRAKE PEDAL	PAGE NO.: 45
------------------------------------	-----------------

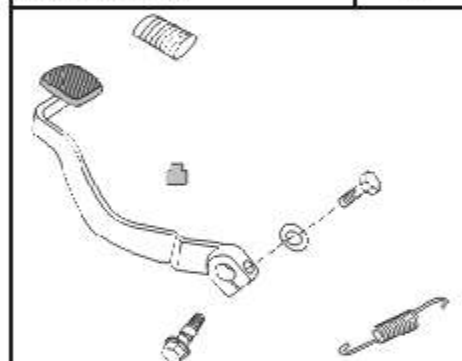


PLATE NO. : 41 FRONT FORK	PAGE NO.: 48 & 49
------------------------------	----------------------

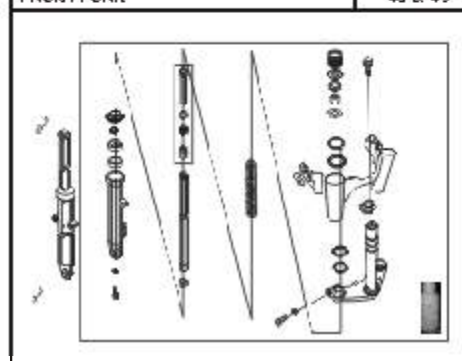


PLATE NO. : 38 REAR CALIPER	PAGE NO.: 44
--------------------------------	-----------------

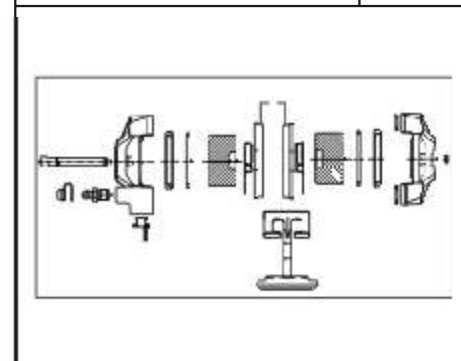


PLATE NO. : 40 HANDLE BAR	PAGE NO.: 46 & 47
------------------------------	----------------------

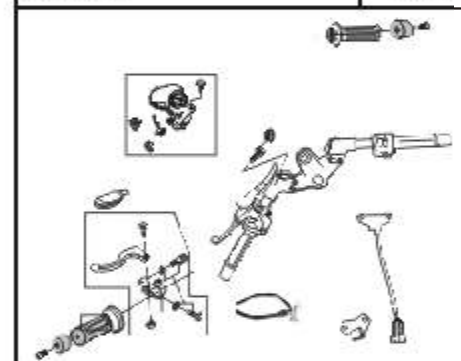


PLATE NO. : 42 PAINTED PARTS & DECALS (FOR F)	PAGE NO.: 60 - 62
--	----------------------

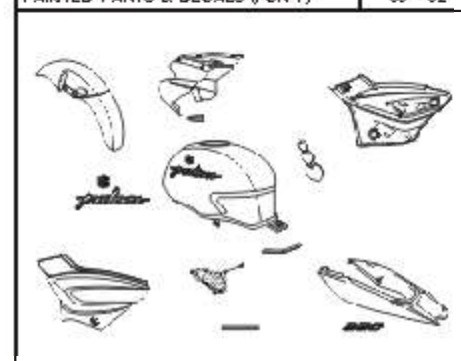


PLATE NO. : 43 CAP TANK AND GAUGE FUEL (EXCLUSIVE FOR S)	PAGE NO.: 53
--	-----------------

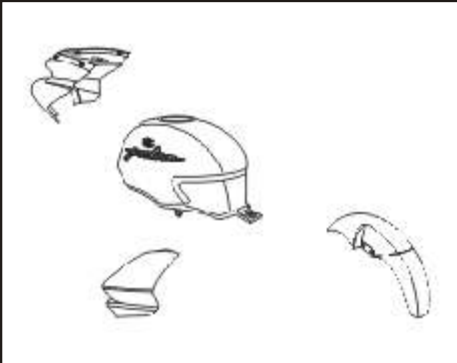


PLATE NO. : 45 FITTING P. TANK, SIDE COVER & SEAT COVER	PAGE NO.: 55
---	-----------------



PLATE NO. : 47 CONTROL CABLES	PAGE NO.: 57
----------------------------------	-----------------



PLATE NO. : 44 FITTING P. TANK, SIDE COVER AND COVER SEAT	PAGE NO.: 54
---	-----------------

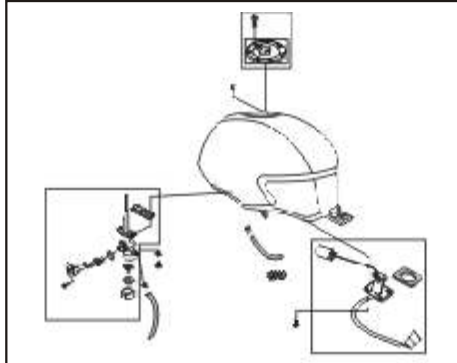


PLATE NO. : 46 METER ASSEMBLY	PAGE NO.: 56
----------------------------------	-----------------

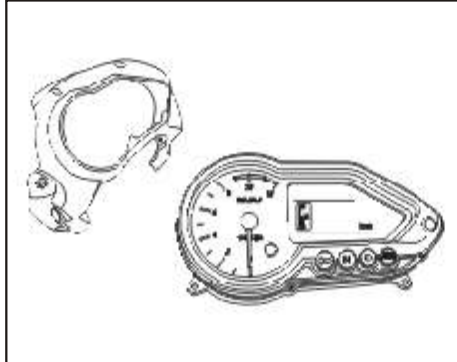


PLATE NO. : 48 CHAIN COVER	PAGE NO.: 58
-------------------------------	-----------------

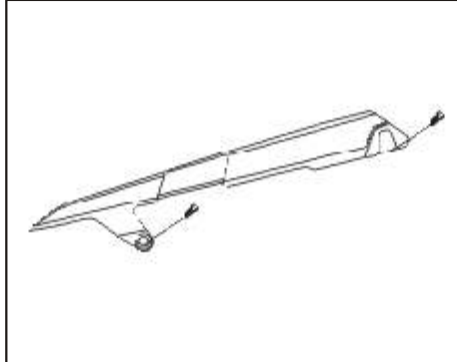


PLATE NO. : 49 HEAD LAMP & FAIRING	PAGE NO.: 59
---------------------------------------	-----------------

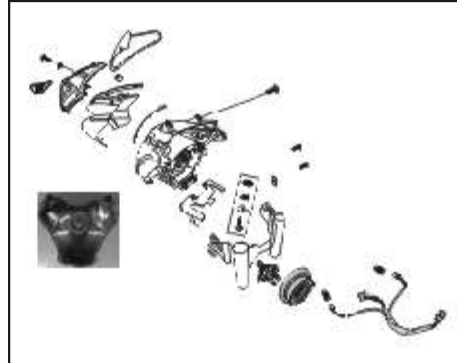


PLATE NO. : 51 FAIRING & MOUNTING (FOR S/F ONLY)	PAGE NO.: 61-62
---	--------------------



PLATE NO. : 53 ELECTRICAL EQUIPMENTS	PAGE NO.: 64-65
---	--------------------

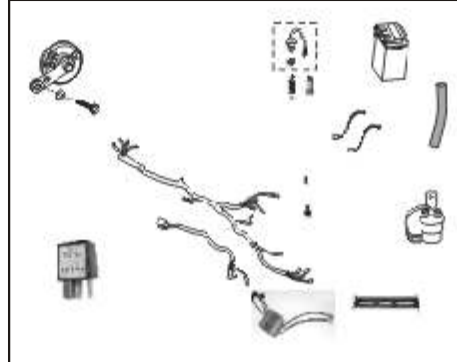


PLATE NO. : 50 INDICATOR LIGHTS ASSLY.	PAGE NO.: 60
---	-----------------



PLATE NO. : 52 TAIL LAMP ASSEMBLY / FRONT & REAR NUMBER PLATE	PAGE NO.: 63
---	-----------------

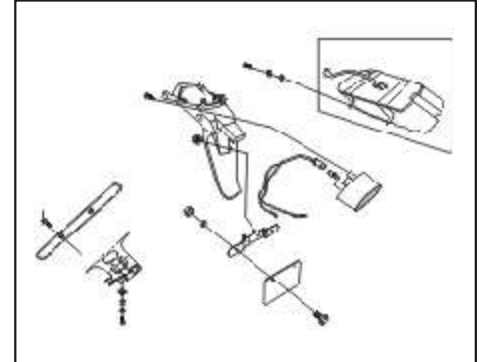
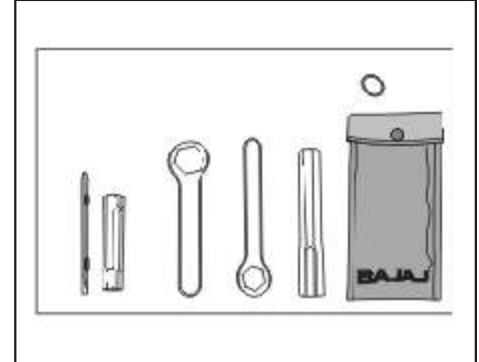
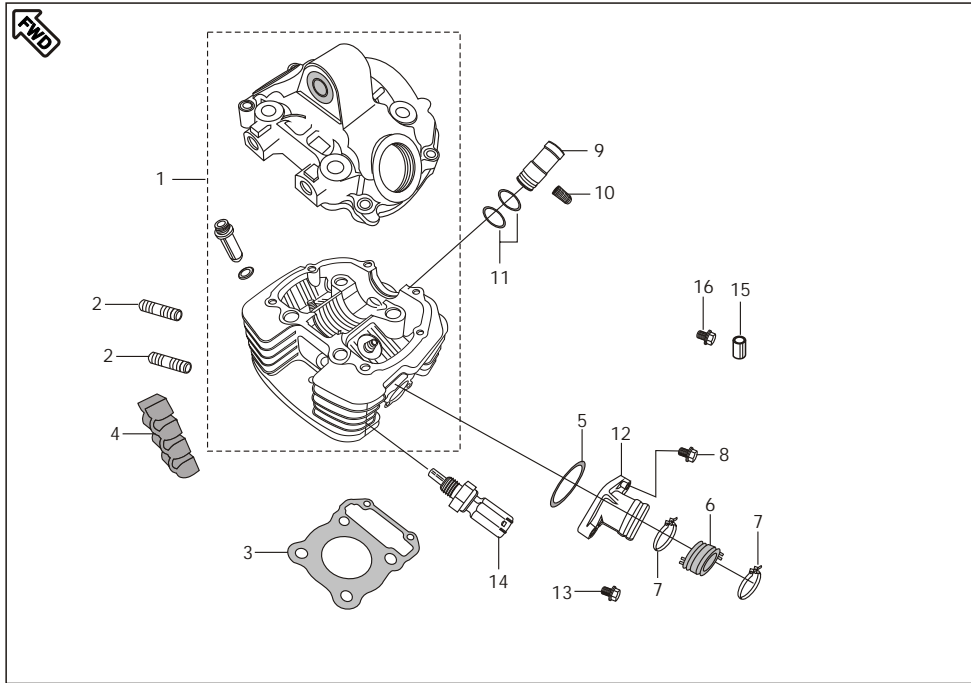


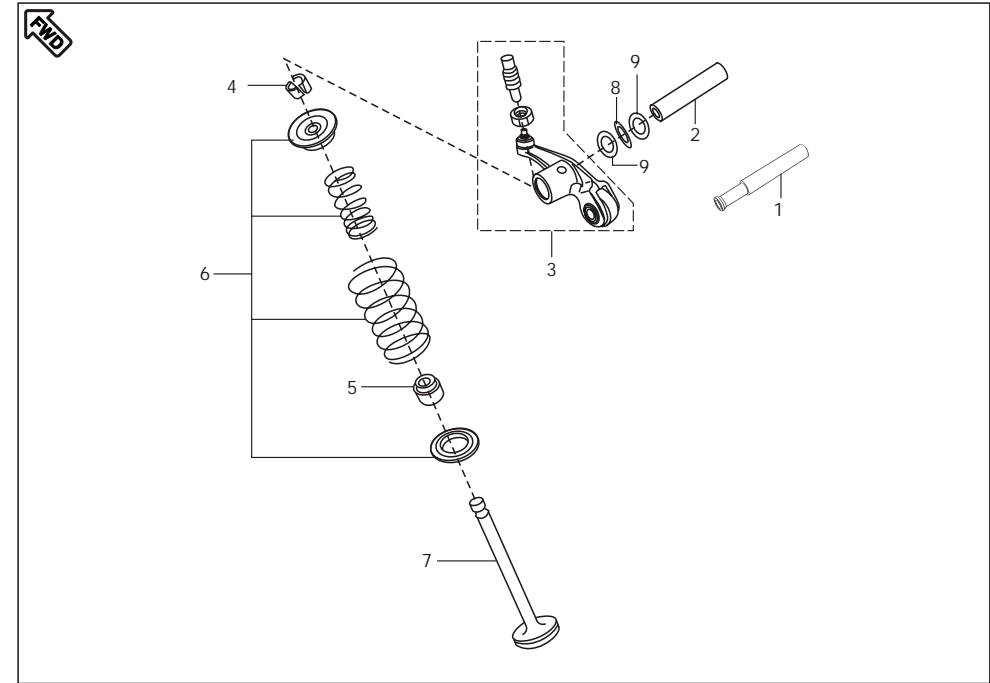
PLATE NO. : 54 TOOL KIT	PAGE NO.: 66
----------------------------	-----------------



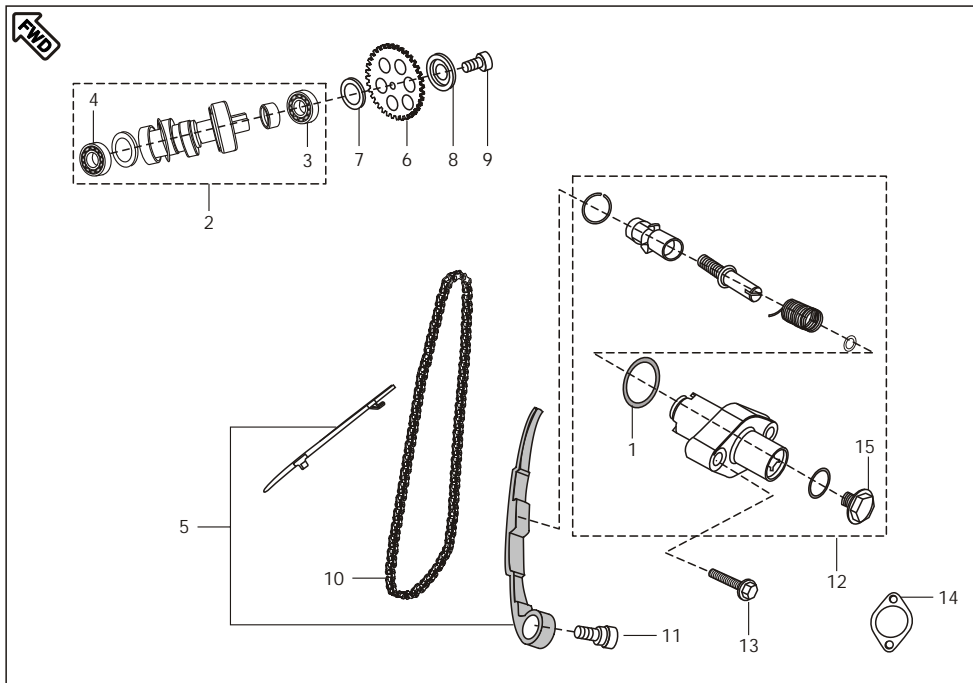




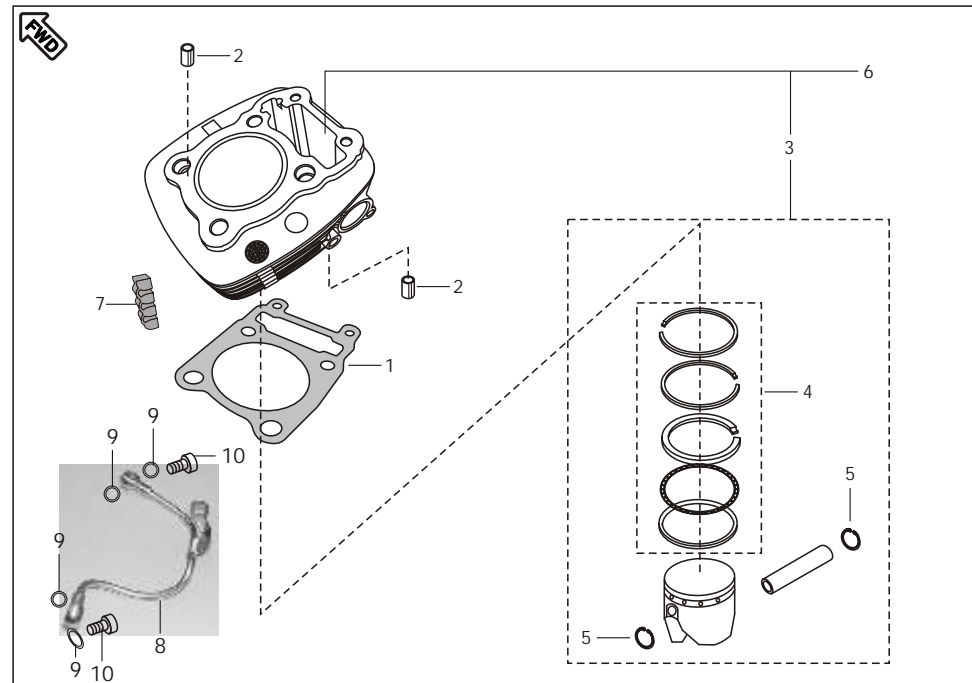
No.	Part No.	Description	Qty/ Veh.	Remarks
1	36 DK00 90	Kit Assly Cylinder Head with Cover	1	D-44 (Old P. No.-DK101607)
	DK 1017 74	Head Cylinder with Cover	1	D-46 - 26.03.2012
2	59 0500 02	Stud (Exhaust)	2	
3	DK 1010 03	Gasket Cylinder Head	1	
4	DH 1015 08	Damper Cylinder Head	5	
5	39 1283 21	'O' Ring (Intake Pipe)	1	
6	DK 1210 82	Insulator	1	D-46 (Old P. No.-JC120018)
7	DH 1211 42	Clamp for Insulator	2	D-46 (Old P. No.-DH121038)
8	39 1674 04	Hex. Bolt / Flange	2	(F)
9	DH 1110 12	Sleeve - Spark Plug	1	
10	39 2608 01	Grub Screw	1	For Sleeve Spark Plug
11	36 DS10 01	Cyl. Head 'O' Ring Kit	1	Ref. page no. 68
12	JC 1200 17	Manifold	1	
13	39 1075 04	Hex bolt	1	
14	DK 1015 03	Engine temperature sensor	1	
15	39 2181 06	Dowel	2	
16	39 1759 04	Bolt	1	



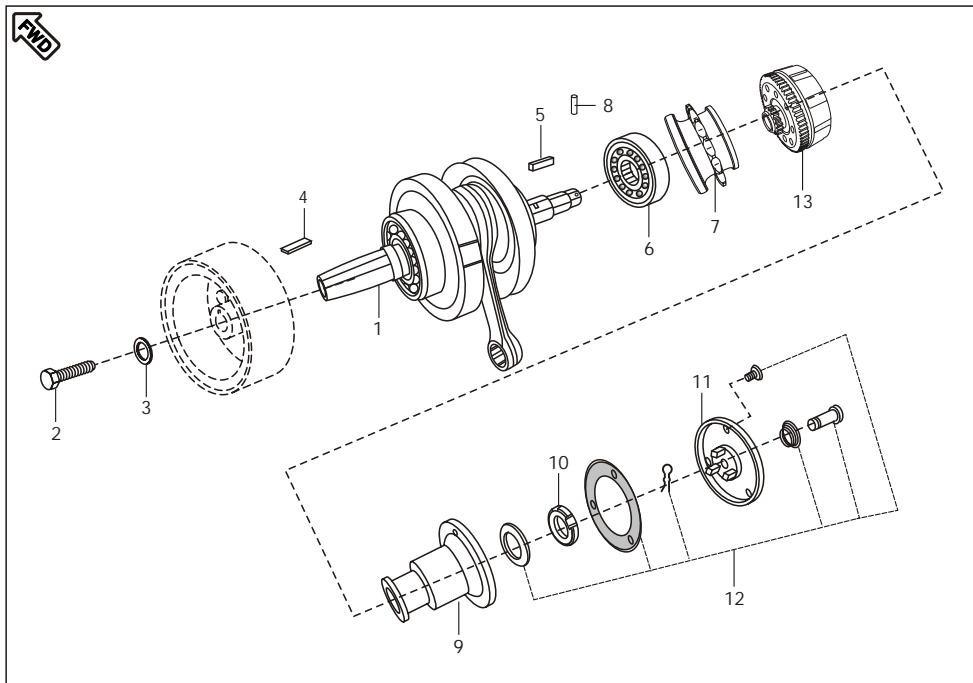
No.	Part No.	Description	Qty/ Veh.	Remarks
1	DS 1013 35	Rocker Arm Shaft - Intake	1	.
	DK 1017 48	Rocker Arm Shaft - Intake	1	D-44 - 02.12.2011.
2	DS 1013 36	Rocker Arm Shaft - Exhaust	1	
	DK 1017 51	Rocker Arm Shaft - Exhaust	1	D-44 - 02.12.2011
3	DS 1013 33	Rocker Arm with roller	2	
	DK 1017 55	Rocker Arm without roller	2	D-44 - 02.12.2011
4	DG 1010 29	Collet	4	
5	39 2017 19	Seal valve stem	2	
6	DK 1013 26	Valve Repair Kit	1	Ref. page no. 68
7	DK 1013 27	Valve Kit (inlet + exhaust)	1	Ref. page no. 68
8	DS 1013 66	Wave washer	2	
	DH 1012 95	Wave washer	2	D-44 - 02.12.2011
9	59 1100 02	Plain washer	4	
	39 2440 11	Plain washer	4	D-44 - 02.12.2011



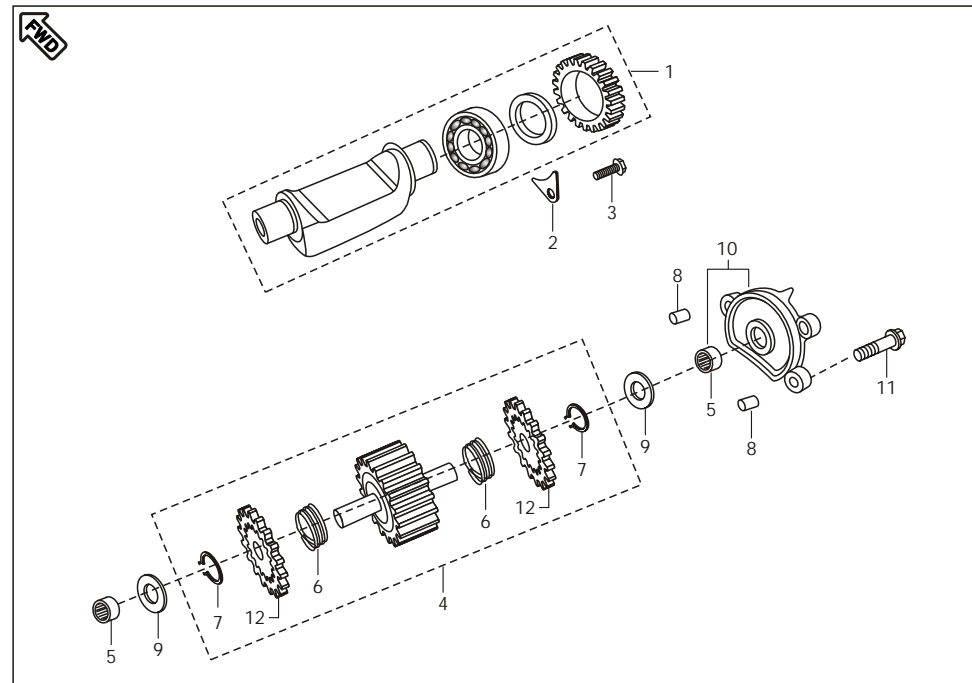
No.	Part No.	Description	Qty/ Veh.	Remarks
1	39 2669 21	Ring 'O'	1	
2	DK 1016 14	Camshaft Assembly	1	
3	JC 1010 86	Bearing cam RH side	1	
4	JC 1010 85	Bearing cam LH side	1	
5	DK 1013 30	Guide chain Kit	1	Ref. page no. 68
6	DS 1012 76	Sprocket cam Driven (32 T)	1	
7	DH 1014 12	Collar cam Sprocket	1	
8	DH 1010 48	Special camshaft washer	1	
9	DK 1013 86	Hex. Soc. Head cap Bolt	1	
10	DK 1010 64	Cam Chain (100 link)	1	
11	DH 1013 92	Cam chain Tensioner pivot Bolt	1	
12	JC 1010 34	Tensioner Assly	1	
13	39 1673 04	Hex Bolt / Flange	2	
14	CS 1011 28	Tensioner assly. gasket	1	
15	DD 1010 62	Bolt Flange	1	



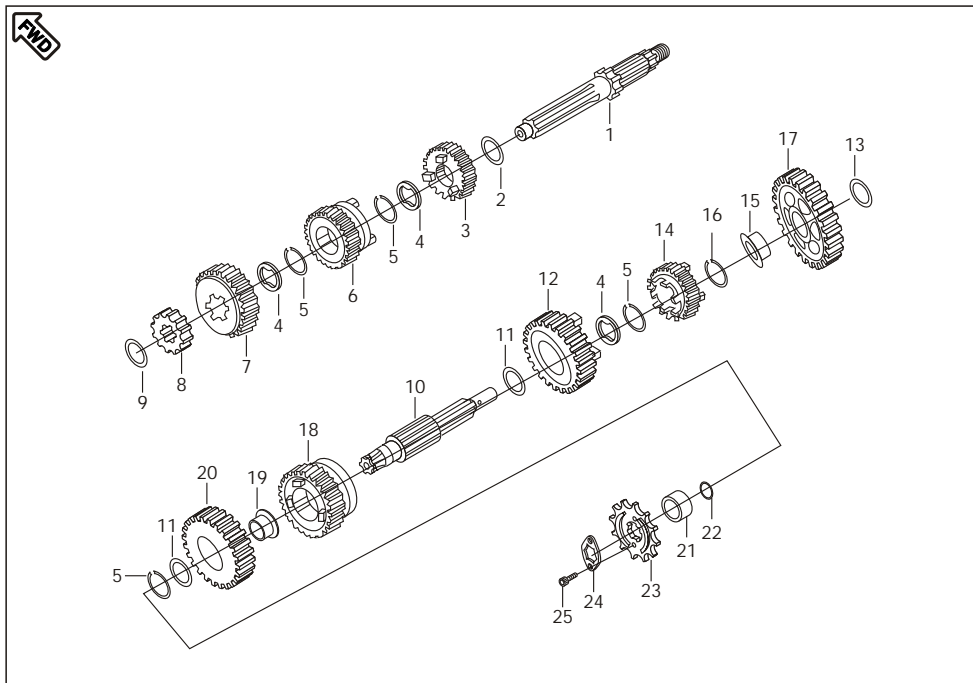
No.	Part No.	Description	Qty/ Veh.	Remarks
1	DK 1010 63	Gasket Cylinder	1	
2	39 2181 06	Pin dowel	4	
3	DK 1010 92	Piston Assly. Standard .	1	Not Serviceable
4	DK 1013 28	Ring Set Piston	1	Ref. page no. 68
5	39 2132 17	Ring Snap	2	
6	DK 1016 25	Cylinder Block / Piston Assly	1	
7	DH 1014 14	Damper	4	
8	DK 1015 92	Assembly Oil Pipe	1	
9	31 1210 06	Gasket	4	
10	DD 1210 07	Bolt	2	



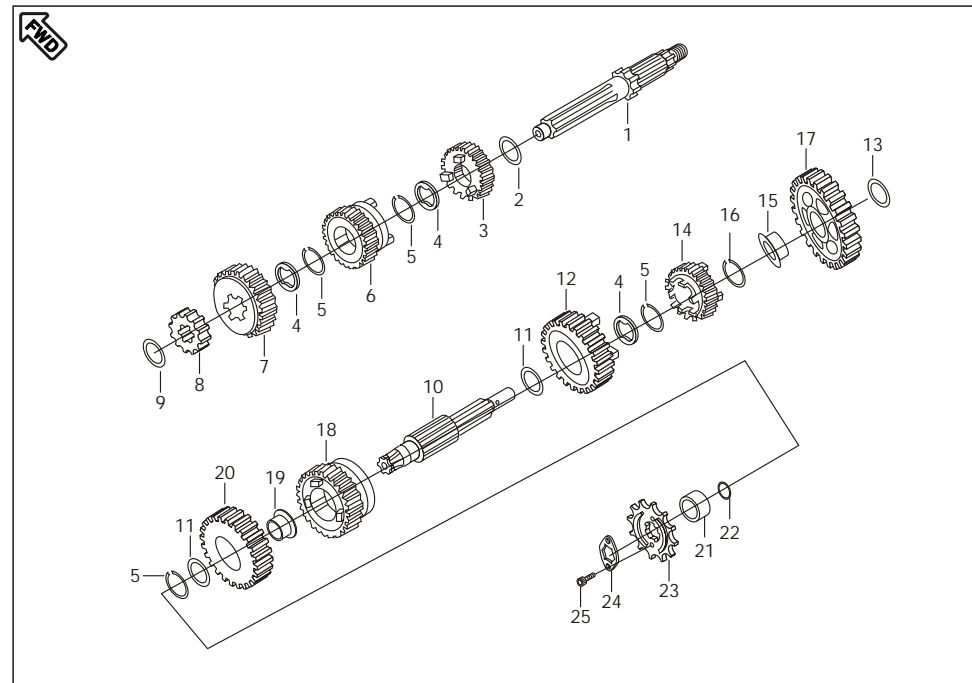
No.	Part No.	Description	Qty/ Veh.	Remarks
1	DK 1010 65	Crankshaft assly. comp.	1	
2	39 2183 04	Bolt primary drive lock	1	
3	39 2165 11	Plain washer	1	
4	31 1011 73	Key woodruff	1	
5	DS 1011 54	Square Key	1	
6	39 1931 20	Bearing Ball	1	
7	DK 101248	Sprocket cam drive (16 T)	1	
8	39 2203 07	Parallel pin	1	
9	DH 1010 64	Body centrifugal oil filter	1	
10	DH 1011 95	Nut	1	
11	DH 1010 65	Cover centrifugal oil filter	1	
12	36 DK00 07	Kit centrifugal oil filter	1	Ref. page no. 68
13	DK 1012 41	Housing comp. clutch	1	



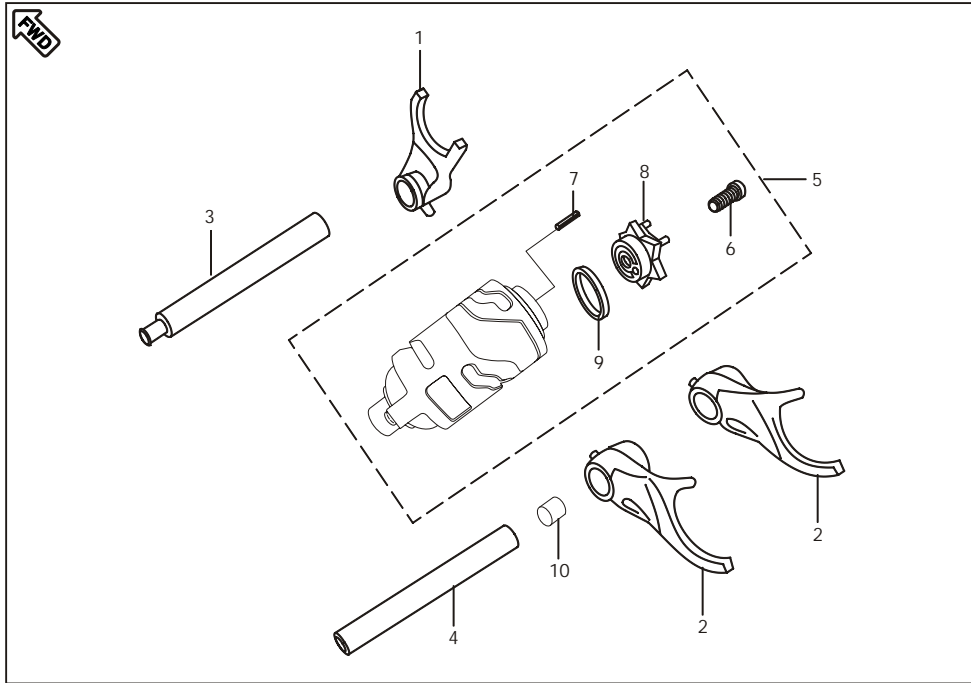
No.	Part No.	Description	Qty/ Veh.	Remarks
1	DK 1017 76	Body Balancer Assly.	1	F-29 (Old P No.DK101416)
2	DH 1010 72	Bearing stopper	1	
3	39 1672 04	Bolt	1	
4	DH 1014 32	Assly. Balancer Idler Gear comp.	1	
5	39 2152 20	Needle roller bearing	2	
6	DJ 1011 33	Spring torsion Balancer Idler	2	
7	39 2557 17	Circlip ext.	2	
8	39 1686 06	Dowel Pin	2	
9	39 1620 11	Spring steel washer	2	
10	52 DH01 77	Balancer Idler Holder	1	
11	39 1674 04	Hex bolt with flange	3	
12	DH 1013 73	Scissor balancer idler	2	
13	59 2000 28	Bearing	1	F-29 (Old P No.39218520)



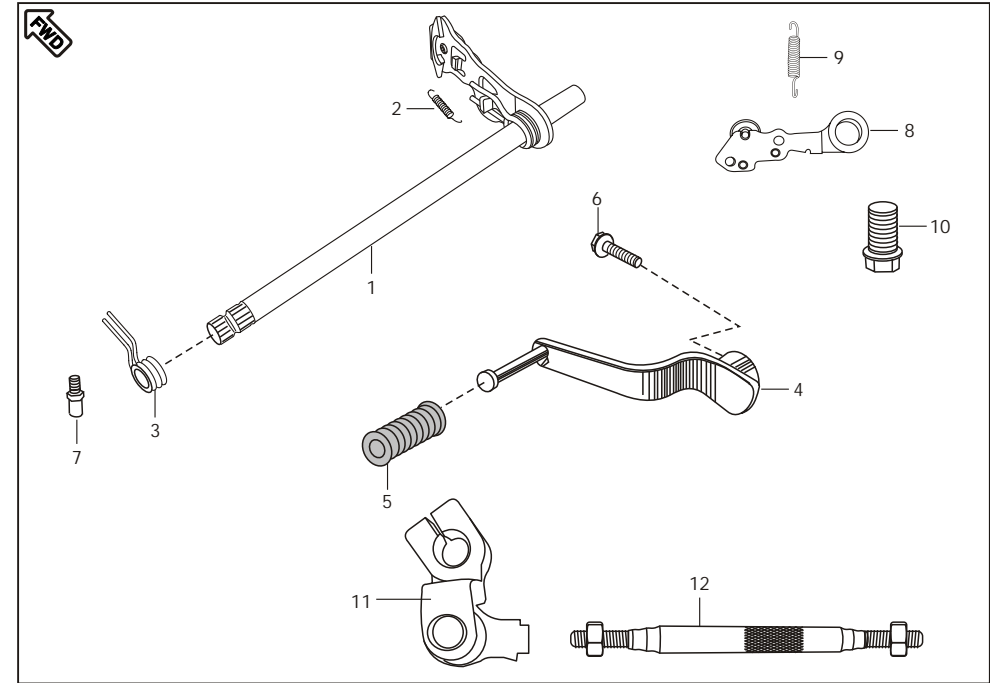
No.	Part No.	Description	Qty/ Veh.	Remarks
1	DK 1014 71	Shaft input transmission	1	
2	39 2158 11	Washer plain	2	
3	DK 1011 03	Gear 4th Drive	1	
4	DH 1010 79	Washer Spline	3	
5	DH 1012 35	External Circlip	4	
6	DK 1011 02	Gear 3rd Drive	1	
7	DK 1016 32	Gear 5th drive	1	
8	DH 1010 84	Gear 2nd drive	1	
9	39 2160 11	Plain washer	1	
10	DK 1011 44	Shaft output transmission	1	
11	DH 1013 36	Washer Thrust	2	
12	DK 1011 05	Gear 3rd Driven	1	
13	DH 1010 79	Washer spline	2	
14	DK 1017 18	Gear 4th Driven	1	D-41-29/07/2011 (Old-DK101106)
15	DH 1011 11	Bush 1st driven	1	



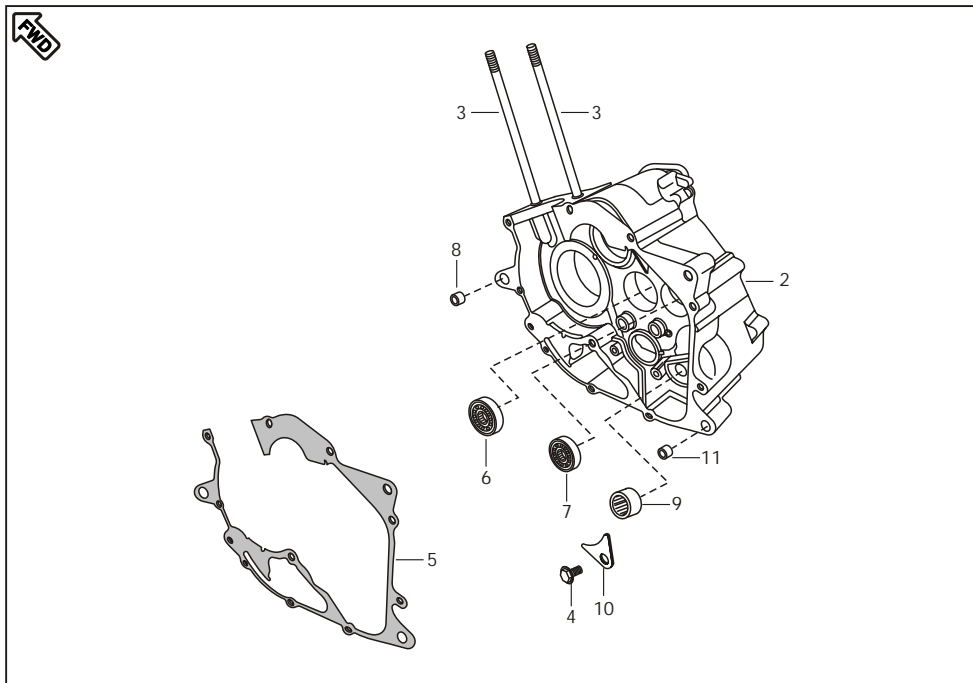
No.	Part No.	Description	Qty/ Veh.	Remarks
16	DH 1012 35	Circlip	1	
17	DK 1017 17	Gear 1st driven	1	D-41-29/07/2011 (Old-DK101118)
18	DK 1017 20	Gear 5th Driven	1	D-41-29/07/2011 (Old-DK101633)
19	DH 1013 19	Bush 2nd driven	1	
20	DK 1017 19	Gear 2nd Driven	1	D-41-29/07/2011 (Old-DH101333)
21	DK 1012 45	Collar Sprocket	1	
22	DK 1013 52	'O' Ring Sprocket Collar	1	
23	DV 1010 48	Sprocket Drive	1	
24	DJ 1010 63	Plate Drive Sprocket	1	
25	DJ 1013 00	Bolt flange	2	For Crankcase with circlip



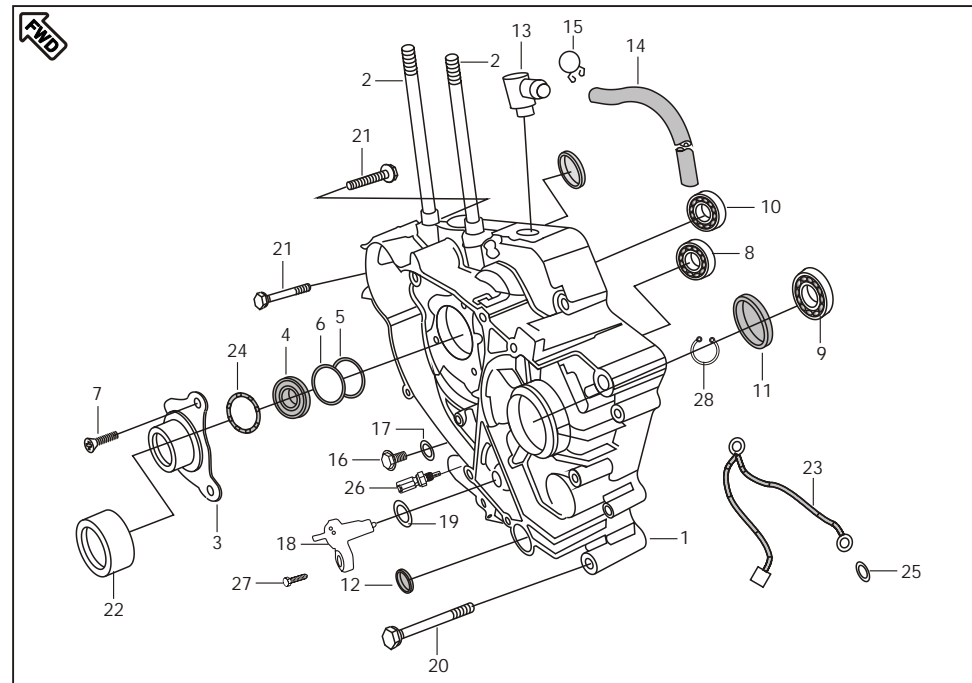
No.	Part No.	Description	Qty/ Veh.	Remarks
1	DK 1011 59	Fork Gear Shift Input	1	
2	DK 1011 60	Fork Gear Shift output	2	
3	DH 1011 46	Shaft Gear Shift Fork Input	1	
4	DH 1014 93	Shaft Gear Shift Fork Output	1	
5	DK 1017 32	Drum comp. Gear Shift	1	D-41-29/07/2011 (Old-DK101382)
6	39 2639 04	Bolt Socket	1	
7	39 2606 07	Parallel pin	1	
8	DK 1013 61	Guide Gear Shifter	1	
9	DH 1014 96	Spacer	1	
10	DK 1011 35	Bush Fork Gear Shift	1	D-41-29/07/2011 (Deleted)



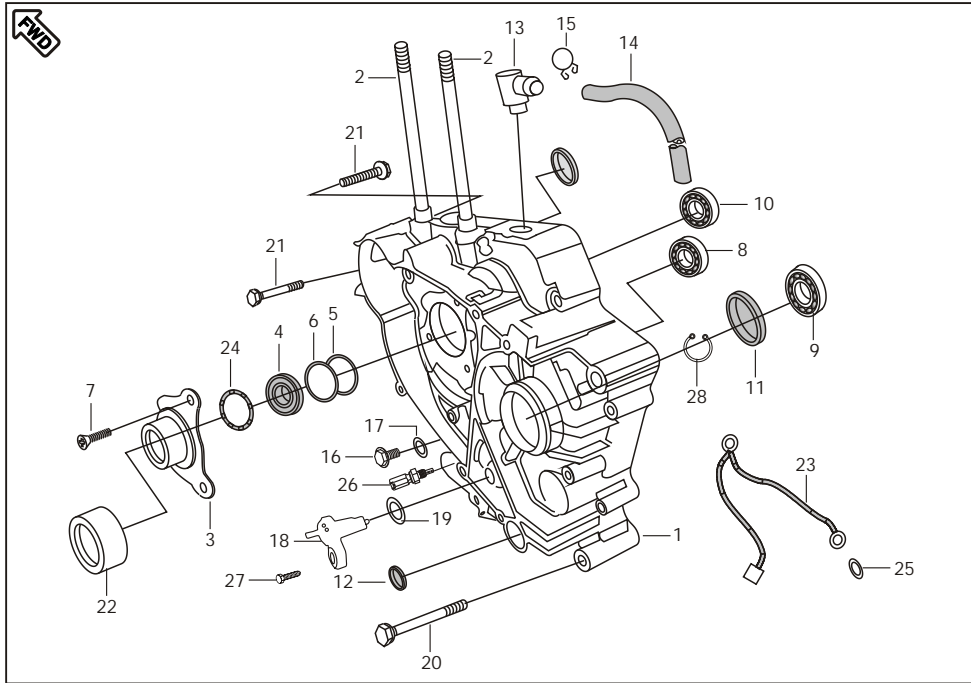
No.	Part No.	Description	Qty/ Veh.	Remarks
1	DK 1017 33	Lever comp. Gear Shifter	1	D-41-29/07/2011(Old-DH101705)
2	DH 1017 14	Spring Slider Arm Reset	1	
3	DH 1011 44	Spring Gear Shifter Return	1	
4	DK 1011 82	Lever gear shift	1	
5	31 1011 08	Damper	1	
6	39 2453 04	Flanged Bolt	1	
7	DH 1013 93	Bolt Gear Shift drum Stopper	1	
8	DK 1017 25	Stopper gear shifter drum	1	D-41-29/07/2011(Old-DH101503)
9	DK 1012 53	Spring Gear Shifter Drum Stopper	1	
10	DH 1013 94	Bolt Shift Change	1	
11	DK 1011 77	Lever change arm	1	
12	DK 1011 80	Tie rod	1	



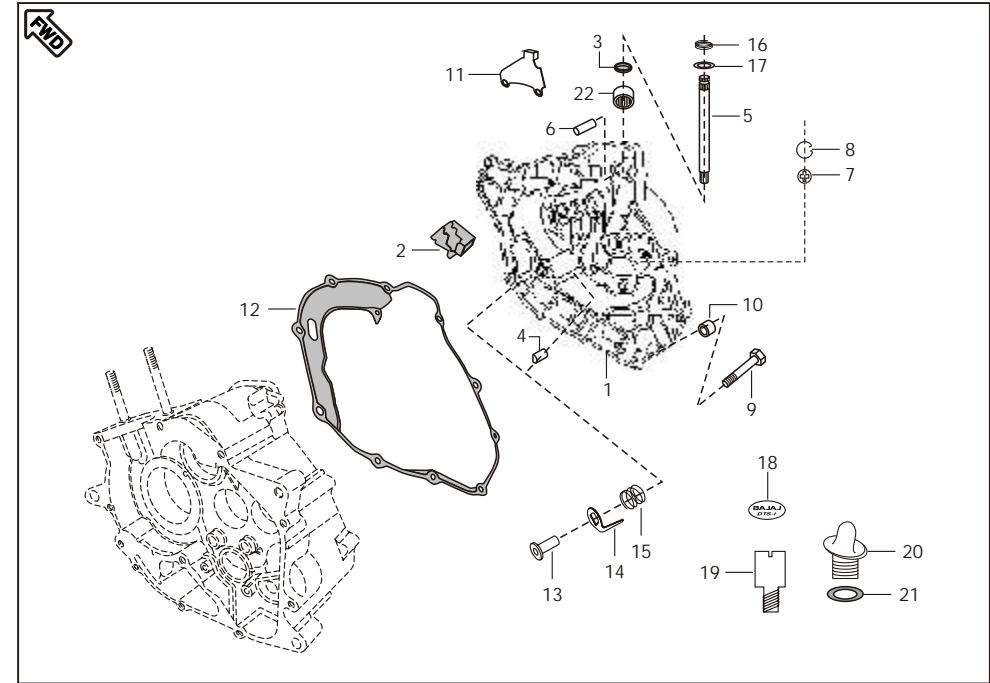
No.	Part No.	Description	Qty/ Veh.	Remarks
1	DK 1016 13	Engine Assly. with starter motor	1	N I (F)
	DK 1017 69	Engine Assly. with starter motor	1	N I (F) Metallic Covers
2	JC 1010 29	Crankcase RH	1	
3	59 0500 02	Stud	2	
4	DJ 1013 02	Bolt Flanged	1	
5	DH 1018 96	Gasket Crankcase	1	
6	39 2583 20	Bearing Ball (For Input shaft)	1	
7	59 2000 27	Bearing Ball (For Output shaft)	1	
8	39 2180 06	Dowel Pin	2	
9	39 2601 20	Needle Roller Bearing	1	(For Dr. Comp. Gear Shift)
10	DH 1014 87	Plate Stopper	1	
11	39 2181 06	Dowel Pin	2	



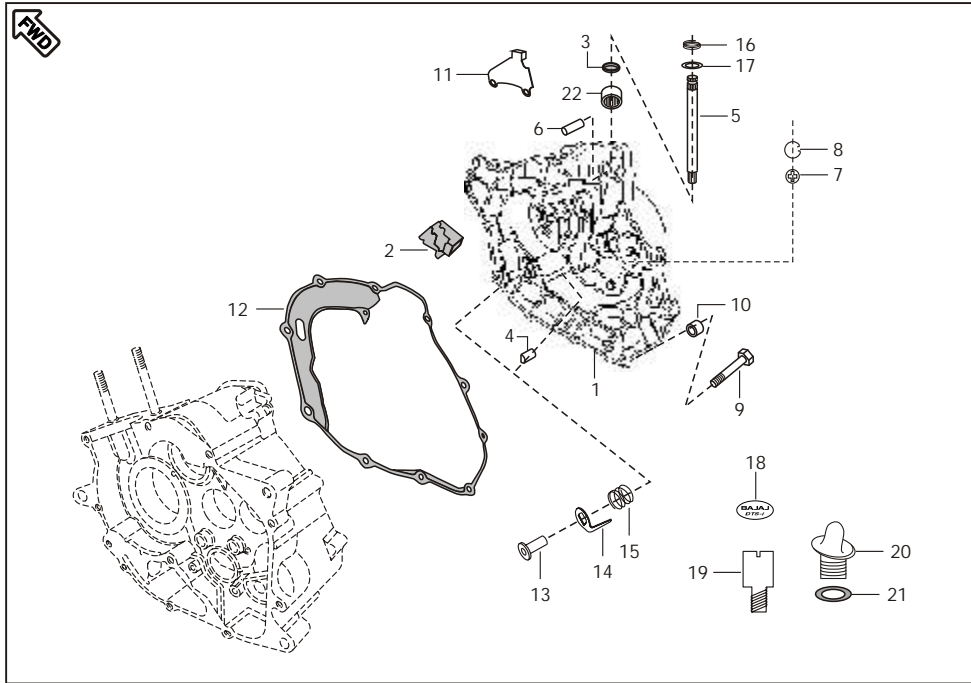
No.	Part No.	Description	Qty/ Veh.	Remarks
1	DK 1015 81	Crankcase LH	1	with banjo
2	59 0500 02	Stud	2	
3	DK 1010 94	Guide starter assly	1	
4	39 2188 19	Oil Seal	1	
5	59 2100 06	'O' Ring	1	
6	DK 1010 97	Damper	1	
7	39 0752 01	'C' Sunk Head Screw	3	
8	39 2603 20	Bearing Ball (For Input shaft)	1	
9	59 2000 06	Bearing Ball (For Output shaft)	1	
10	59 2000 28	Bearing	1	F-29 (Old P No.39218520)
11	39 2189 19	Oil Seal (For Output shaft)	1	
12	39 2190 19	Oil Seal (For Shift lever)	1	
13	DH 1012 03	Breather	1	
14	DH 1012 46	Rubber tube	1	
15	28 1011 74	Spring Clip	1	



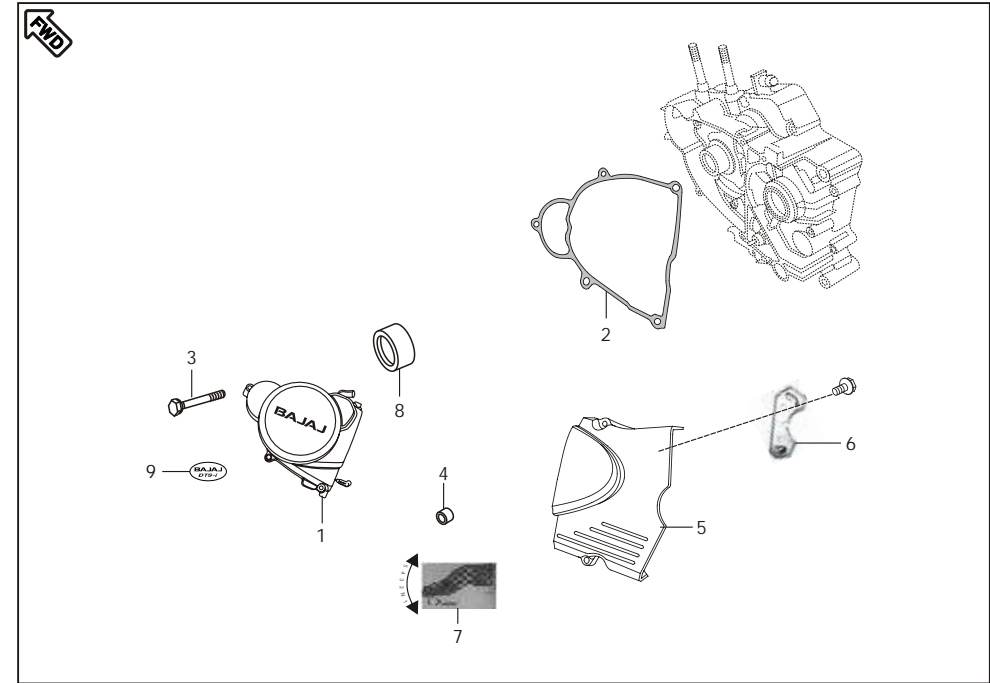
No.	Part No.	Description	Qty/ Veh.	Remarks
16	DH 1016 61	Plug (Drain Bolt)	1	
17	31 1011 06	Gasket (For Drain Bolt)	1	
18	DK 1013 80	Switch comp. (Neutral)	1	
19	39 1013 21	'O' ring	1	
20	39 1677 04	Bolt	8	
21	DH 1013 90	Bolt	1	
22	DH 1011 69	Needle Roller Bearing	1	
23	DJ 2011 40	Cable assly. (Battery to Earth)	1	
24	39 2448 11	Plain Washer	1	
25	39 0849 14	Toothed Washer	1	
26	DK 1015 77	Thermal Sensor with AL gasket	1	
27	39 1672 04	Flange Bolt	1	For Plastic neutral switch
28	KE BA37 15	Circlip (May 10)	1	For DKGBTB 50638



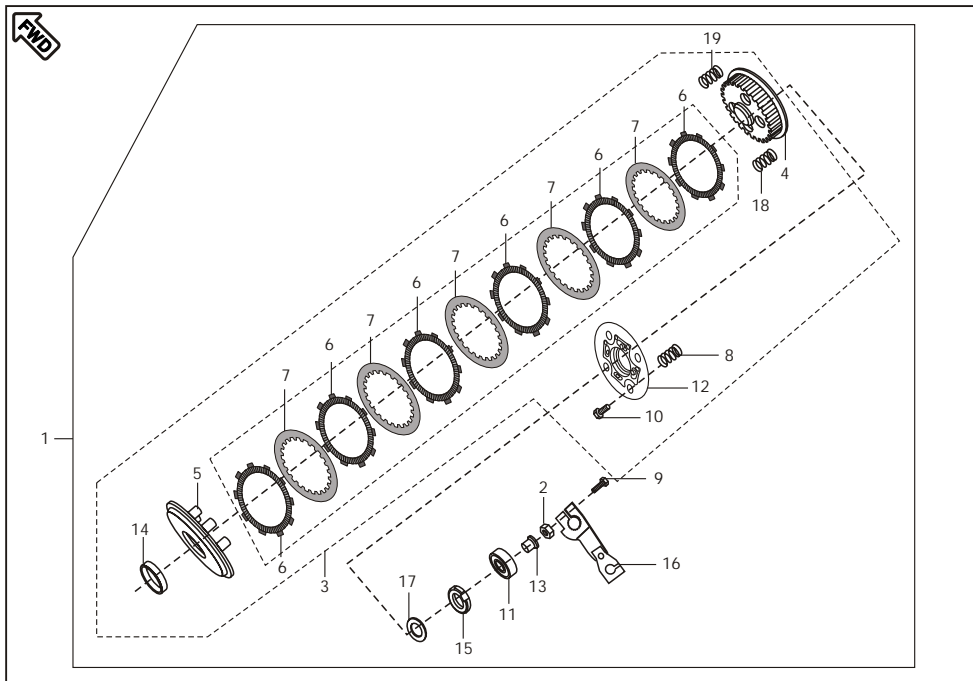
No.	Part No.	Description	Qty/ Veh.	Remarks
1	52 DK02 04	Cover comp RH Flower type (MS)	1	D-43 (Old P No.36DK0064)
2	DH 1011 97	Grommet Breather	1	
3	39 1041 19	Seal clutch lever	1	
4	DH 1011 41	Rack	1	
5	DH 1011 42	Shaft clutch release	1	
6	DK 1012 51	Parallel pin	1	
7	DG 1014 18	Gauge	1	
8	DS 1012 15	Wire circlip	1	
9	DS 1013 53	Bolt	10	
10	39 0999 06	Pin Dowel	2	
11	DK 1012 52	Bracket Clutch Cable	1	
12	DH 1011 54	Gasket cover RH	1	
13	DK 1014 80	Plunger Oil	1	
14	DH 1210 11	Plate Plunger Oil	1	
15	DH 1210 12	Spring Joint 'A'	1	



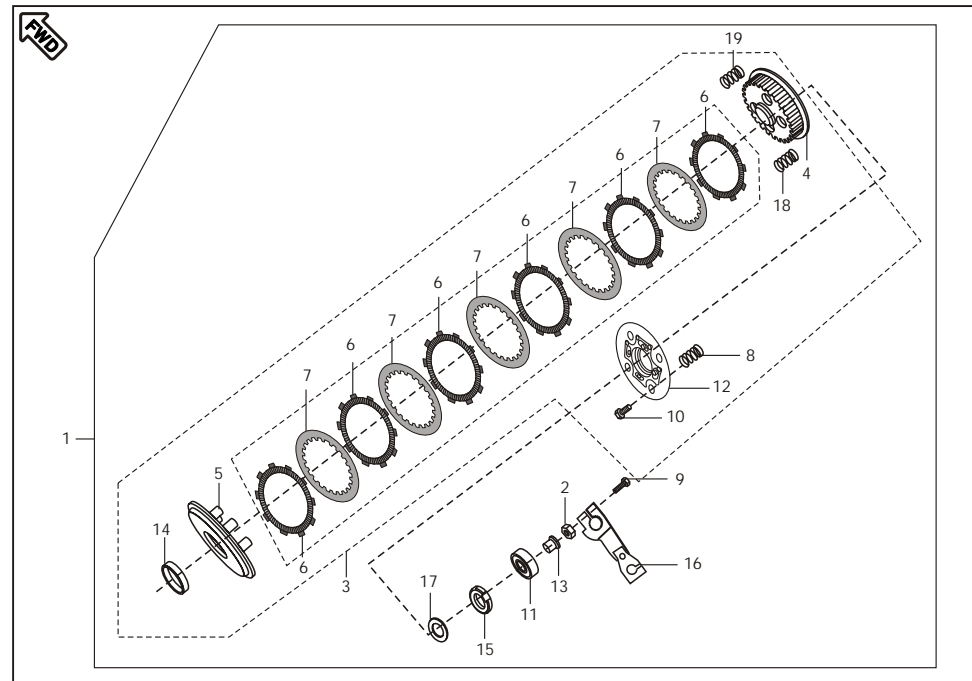
No.	Part No.	Description	Qty/ Veh.	Remarks
16	DH 1015 44	Spring Torsion clutch lever	1	
17	39 2443 11	Washer	1	
18	DK 1017 38	Decal clutch cover	1	
19	DK 1014 69	Assembly Relief Valve Complete	1	
20	DS 1010 71	Cap Oil Filler	1	
21	DH 1011 52	'O' ring	1	
22	39 1990 20	Needle Roller Bearing	2	



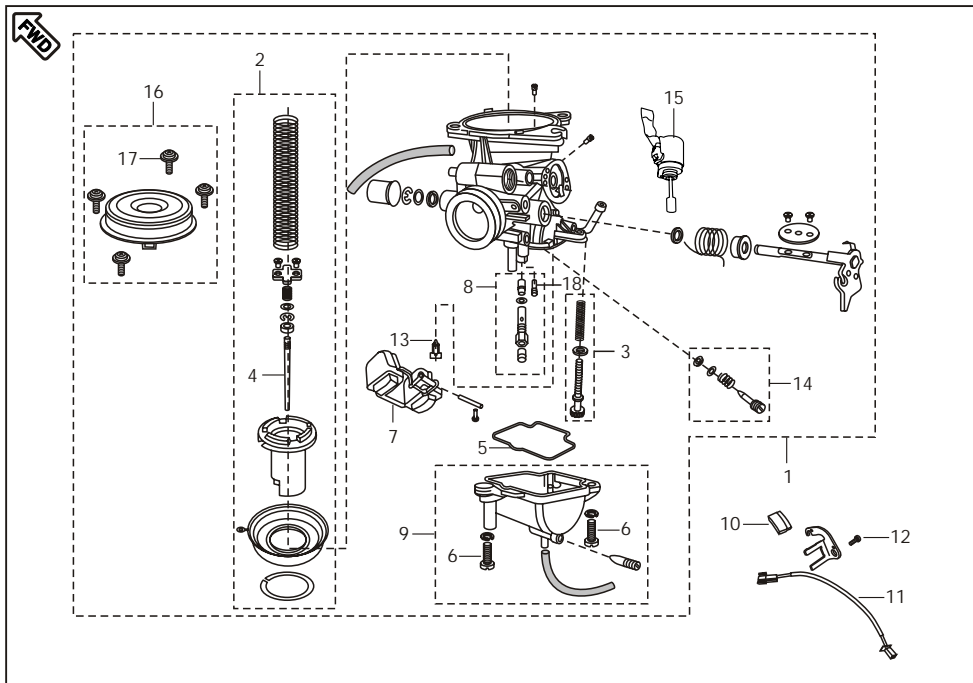
No.	Part No.	Description	Qty/ Veh.	Remarks
1	52 DH06 24	Assly Cover Magneto Flower Type	1	(For SF) D-40-02.05.2011
	52 DH06 86	Assly Cover Magneto (MS)	1	(For SF) D-43-03.10.2011
	52 DK01 72	Assly Cover Magneto Flower Type	1	(For F) D-40-02.05.2011
	52 DK02 03	Assly Cover Magneto (MS)	1	(For F) D-43-03.10.2011
2	DV 1010 42	Gasket Magneto cover	1	
3	39 1074 04	Bolt	5	DS 1013 53
4	39 0999 06	Pin Dowel	2	
5	DK 1017 62	Cover LH Rear	1	D-43 (Old P No. Jc101033)
6	DH 1012 93	Plate Damper Cover LH Rear	1	
7	DJ 1612 28	Gear Shift Label	1	
8	AP 1010 43	Needle Roller Bearing	1	
9	JE 5412 12	Decal DTS-i Magneto	1	



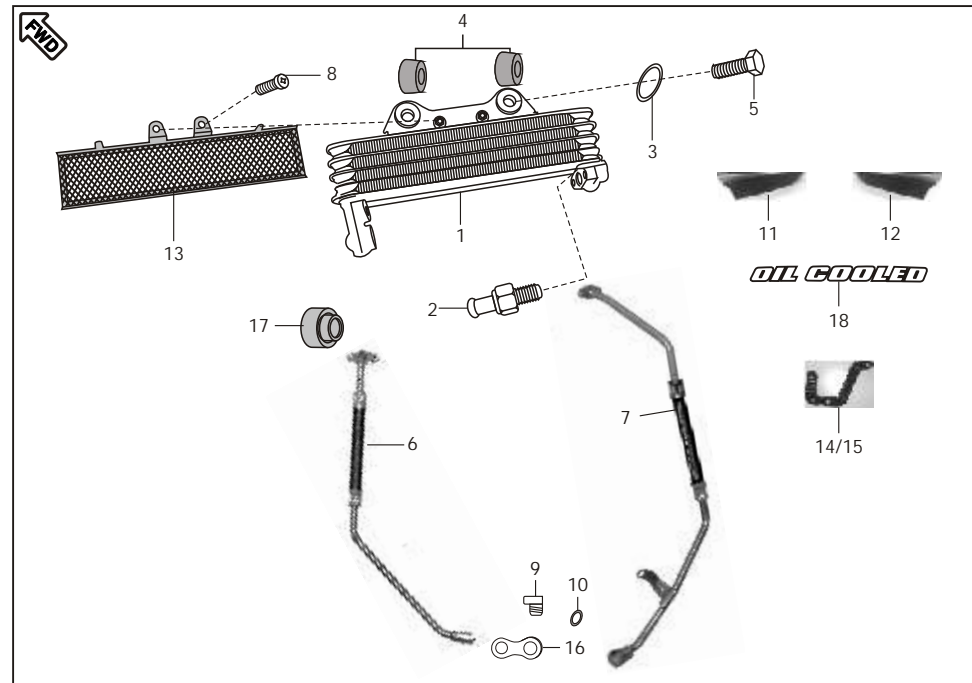
No.	Part No.	Description	Qty/ Veh.	Remarks
1	DK 1015 60	Clutch assembly comp.	1	
2	DH 1012 75	Nut	1	
3	DK 1015 63	Clutch Plate Assly	1	
4	DK 1015 64	Clutch Center	1	
5	DK 1015 69	Plate Clutch pressure	1	
6	DK 1015 66	Disc Clutch friction	4	} DJ 1013 69 (Disc Clutch Friction Kit)
	DK 1015 68	Disc Clutch friction (B type)	1	
	DK 1015 67	Disc Clutch friction (C type)	1	
7	DK 1015 65	Plate Clutch	5	
8	DK 1015 72	Spring Clutch Capacity	5	
9	39 1674 04	Bolt	1	
10	DK 1015 74	Bolt	5	
11	39 2617 20	Bearing Clutch lifter thrust	1	
12	DK 1015 73	Holder Clutch	1	



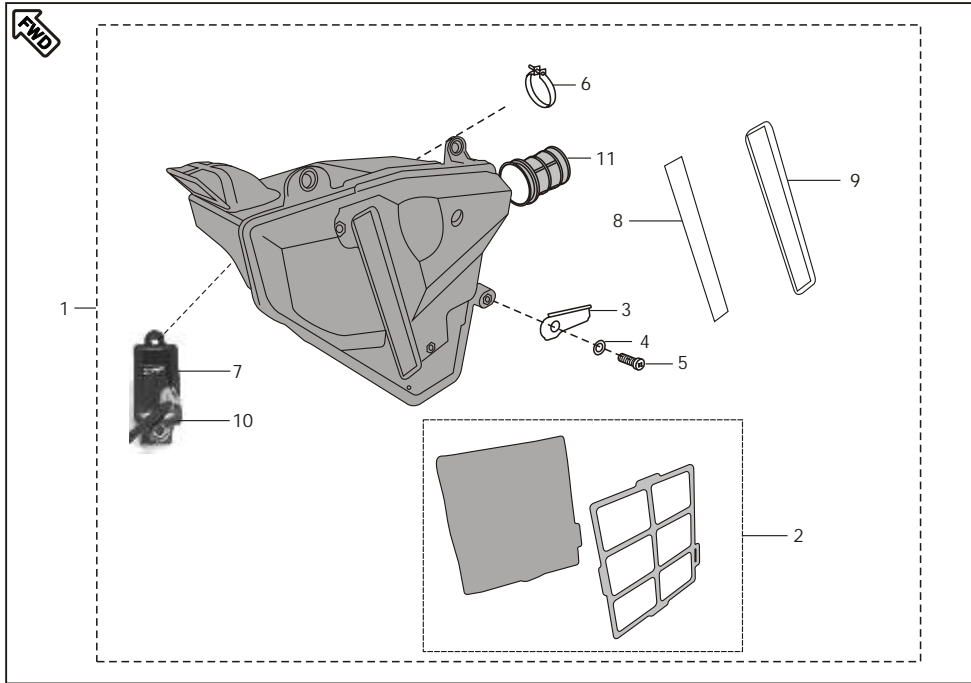
No.	Part No.	Description	Qty/ Veh.	Remarks
13	DK 1010 72	Rod Clutch lifter	1	
14	DK 1011 26	Spacer Clutch	1	
15	DH 1016 48	Nut Primary drive lock	1	LH Thread
16	DK 1016 36	Lever Assly. Clutch	1	
17	39 2200 11	Washer Primary Drive Gear	1	
18	DK 1015 70	Seat judder spring	1	
19	DK 1015 71	Spring judder	1	



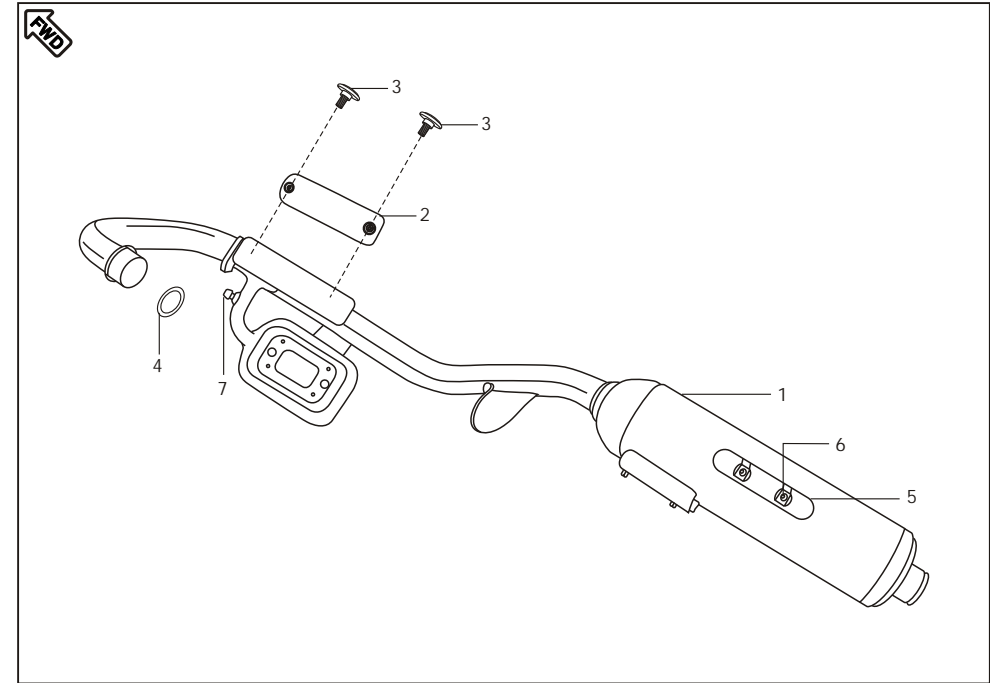
No.	Part No.	Description	Qty/ Veh.	Remarks
1	JC 1200 24	Carburettor Assly.	1	
2	36 DK00 58	Piston valve assly. Kit	1	For BS III Carb. Refer Page 69
3	DK 1210 41	Vaccum adjuster kit	1	Refer Page 69
4	DK 1210 42	Jet needle (JN)	1	
5	DK 1210 43	"O" ring	1	
6	DK 1210 44	Screw	2	
7	DK 1210 45	Float Assly.	1	
8	36 DK00 59	Main jet Kit	1	Refer Page 70
9	36 DK00 60	Float Chamber body Kit	1	Refer Page 70
10	DH 1211 01	Magnet Assly.	1	
11	DJ 1210 70	Reed Switch Assly.	1	
12	39 1780 01	Pan Head Screw	2	
13	DK 1210 47	Needle Assly.	1	
14	DK 1210 48	Pilot Screw Kit	1	Refer Page 69
15	36 DK00 62	Solenoid Kit for Auto choke	1	Refer Page 70
16	36 DK00 61	Top Cap Assly. Kit	1	Refer Page 70
17	DH 1210 63	Screw Cover	4	
18	DK 1210 51	Pilot Jet	1	



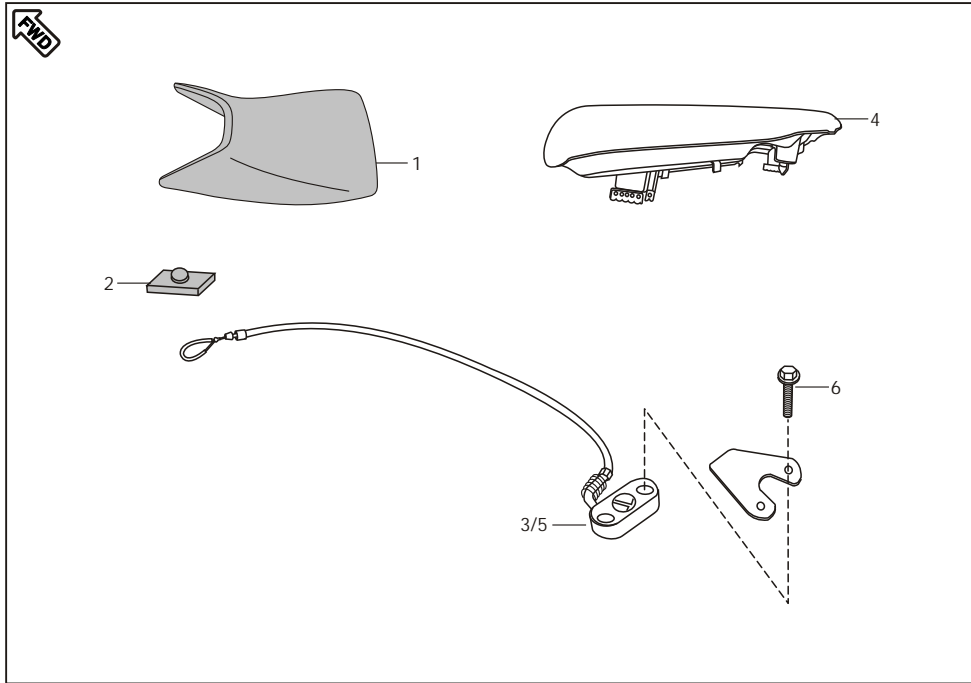
No.	Part No.	Description	Qty/ Veh.	Remarks
1	DK 1016 34	Oil cooler assembly	1	
2	DK 1012 25	Switch oil pressure	1	
3	DK 1013 40	'O' ring Oval (oil cooler pipe)	1	
4	DK 1610 81	Rubber Grommet	2	
5	39 1672 04	Bolt	2	
6	DK 1016 30	Pipe inlet oil cooler	1	
7	DK 1016 31	Pipe outlet oil cooler	1	
8	39 2637 04	Hexagon head screw	2	
9	DK 1013 66	Banjo bolt	2	
10	DK 1012 37	Copper Washer (oil cooler)	4	
11	DK 1611 88	Cap oil cooler LH	1	
12	DK 1611 89	Cap oil cooler RH	1	
13	DK 1016 35	Oil cooler jali	1	
14	DK 1611 86	Oil cooler cap bracket LH	1	
15	DK 1611 87	Oil cooler cap bracket RH	1	
16	DK 1012 79	Washer Cooler Pipe	1	At cover RH
17	JB 4022 02	Grommet oil Pressure Switch	1	
18	DK 1612 59	Decal Oil Cooler LH	1	Other than Orange (For S)
	DK 1612 63	Decal Oil Cooler RH	1	Other than Orange (For S)
	DK 1612 60	Decal Oil Cooler LH	1	For Orange (For S)
	DK 1612 64	Decal Oil Cooler RH	1	For Orange (For S)



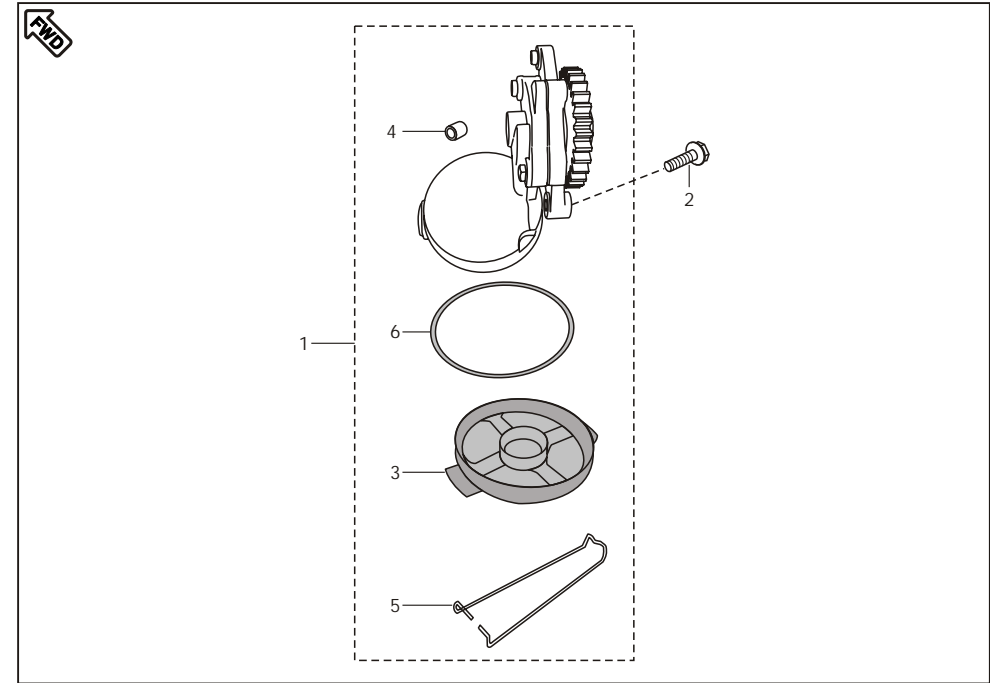
No.	Part No.	Description	Qty/ Veh.	Remarks
1	DK 1210 38	Air Cleaner comp	1	
2	DK 1210 09	Assly element filter	1	
3	DH 1210 20	Bracket lock	1	
4	39 1765 11	Plain washer	1	
5	39 0007 01	Hexagonal head screw	1	
6	AP 1210 64	Clamp	1	
7	DK 1110 40	IR sensor	1	
8	DK 1210 15	'O' Ring	1	
9	DK 1210 08	Filter element cover	1	
10	DK 1210 22	Grommet IR sensor	1	
11	DK 1210 39	Connecting Tube	1	
12	DH 1613 77	Bolt Step (Air Filter Top Mtg.)	3	D-39 - 22.02.2011
13	36 DH40 10	Kit Hardware Air Filter Cover	1	



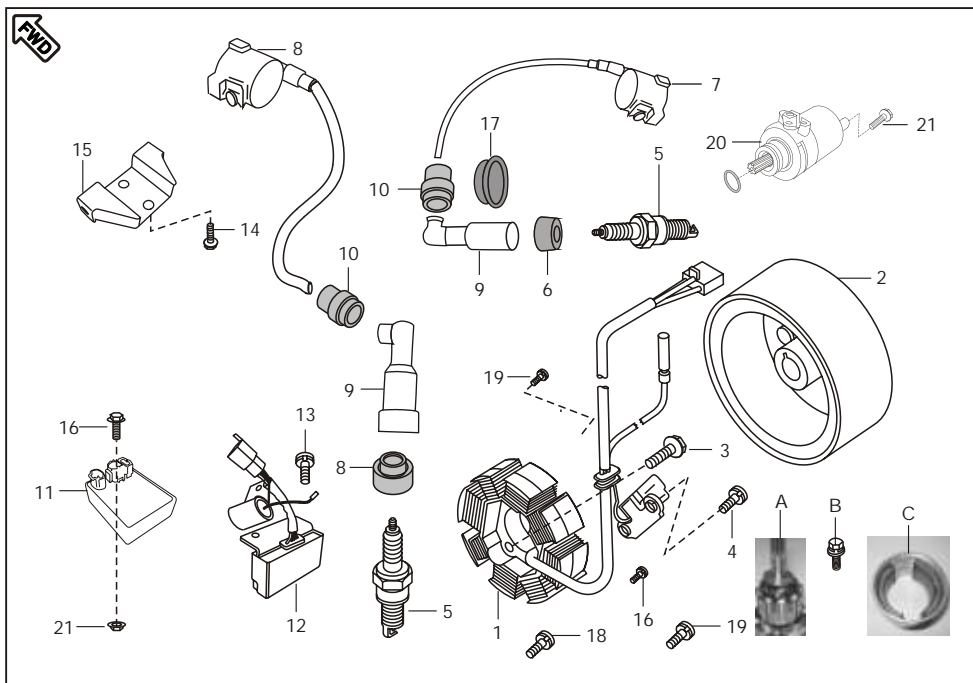
No.	Part No.	Description	Qty/ Veh.	Remarks
1	DK 1014 82	Silencer Assly. w/o shield	1	
2	DH 1016 08	Silencer front shield	1	
3	DH 1016 07	Truss screw	2	
4	DJ 1010 64	Gasket exhaust	1	
5	DK 1014 75	Silencer rear shield	1	
6	DK 9026 27	Nut	2	
7	DK 1016 10	Resonator bolt	1	



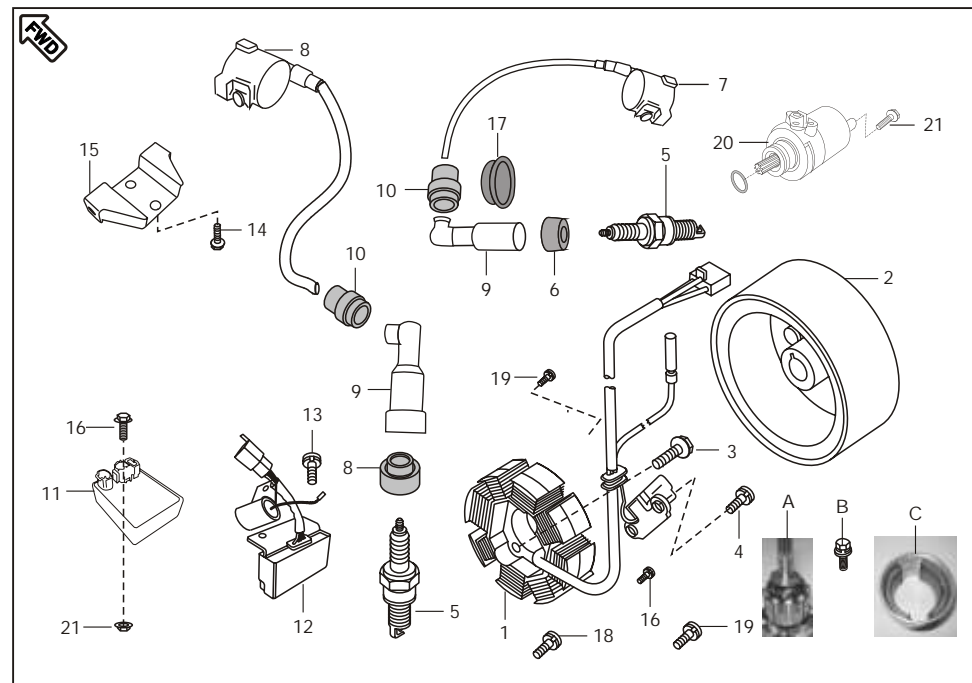
No.	Part No.	Description	Qty/ Veh.	Remarks
1	DK 2110 01	Seat assly comp front	1	
2	DS 2110 05	Damper	2	
3	DH 1610 46	Lock assly seat front	1	
4	DK 2110 04	Seat assly comp rear	1	
5	DK 2110 08	Lock assly seat rear	1	
6	39 1902 04	Bolt flange	2	



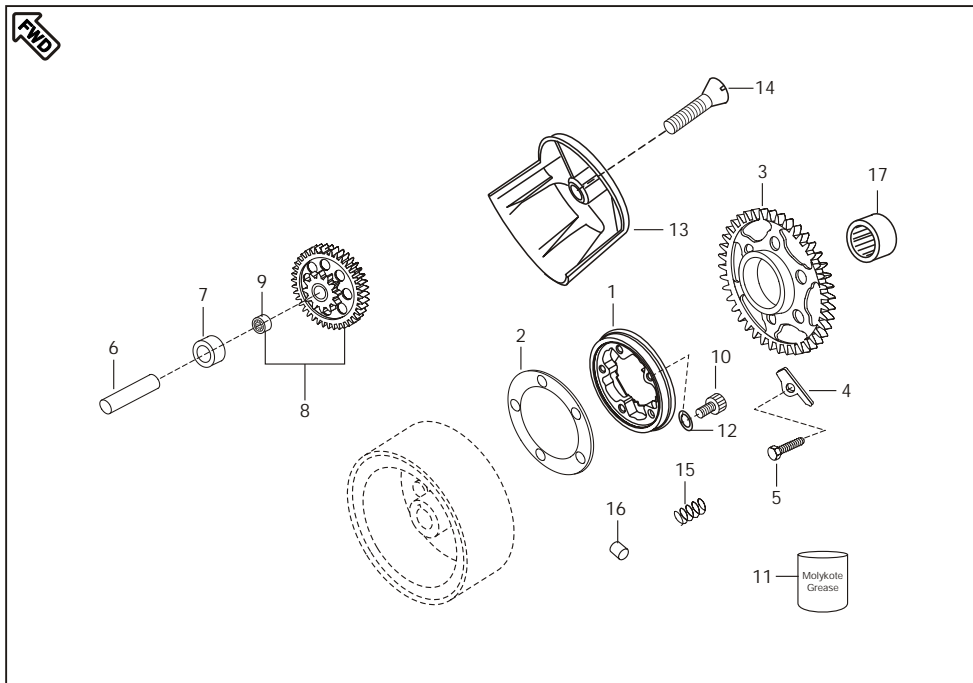
No.	Part No.	Description	Qty/ Veh.	Remarks
1	52 DH01 69	Oil Pump Assly	1	
2	39 1674 04	Hex. Bolt with flange	3	
3	DH 1210 10	Mesh filter Oil pump	1	
4	39 1686 06	Hollow dowel pin	1	
5	DH 1210 35	Clip Mesh Oil filter	1	
6	39 2194 21	'O' Ring	1	



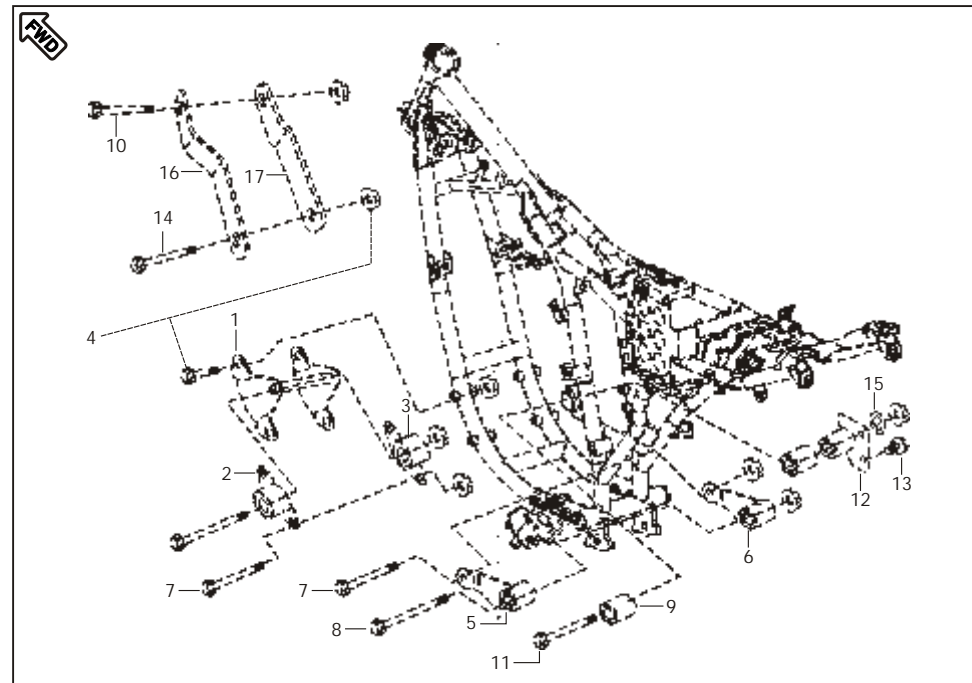
No.	Part No.	Description	Qty/ Veh.	Remarks
1	PD 3510 01	Stator assly. Comp. (For F)	1	D-48 (Old P. No. JC111026)
	DH 1110 81	Stator assly. comp.	1	(For S)
2	JC 1110 28	Rotor Assly.	1	(For F)
	DH 1110 83	Rotor Assly.	1	(For S)
3	39 1674 04	Hex. Bolt with Flange	2	
4	39 0761 01	Pan Head Screw	2	
5	DK 1110 28	Spark Plug	2	
6	DH 1011 13	Grommet Spark Plug	2	
7	JC 1110 22	H.T. Coil LH	1	
8	JC 1110 23	H.T. Coil RH	1	
9	DH 1110 15	Cap Spark Plug	2	
10	DD 1110 12	Grommet H.T. Cable	2	
11	DK 1110 72	CDI Unit	1	
12	DK 2011 39	Regulator Voltage (For F)	1	D-48 (Old P. No. DK201001)
	DJ 2012 02	Regulator Voltage	1	(For S)
13	39 1955 04	Flange Bolt	1	D-48-17.08.2012
14	39 1902 04	Flange Bolt	2	
15	DJ 1610 67	Bracket H.T. Coil	1	



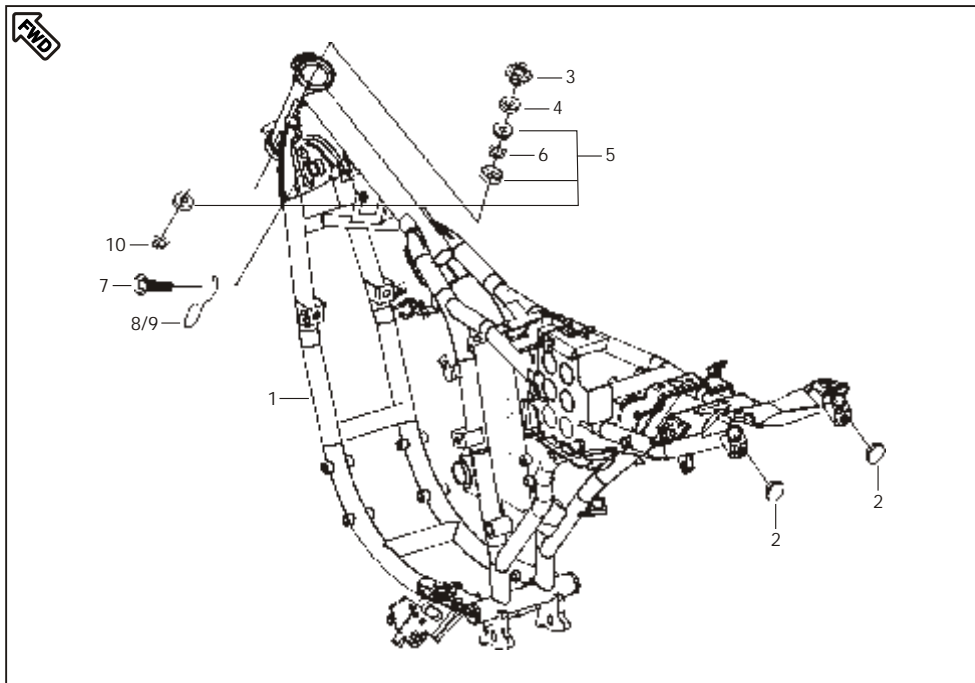
No.	Part No.	Description	Qty/ Veh.	Remarks
16	39 1680 04	Flange Bolt	2	
17	DH 1110 16	Grommet Sleeve Spark Plug	1	
18	DK 1012 84	Hex bolt stator mounting	3	
19	DH 1013 81	Pan head screw (Pick up coil mtg)	2	
20	JC 1110 07	Motor assly. starter	1	
21	DS 1013 53	Bolt	2	STARTER MOTOR SERVICEABLE
A	DK 1110 16	Armature	1	
B	DK 1110 21	Tie Bolt	1	
C	JC 1110 10	Yoke	1	
		STARTER MOTOR KIT		
D	36 DK00 50	Starter Motor Repair kit	1	Refer page no. 69
E	36 DK00 51	Starter Motor Repair kit	1	Refer page no. 69



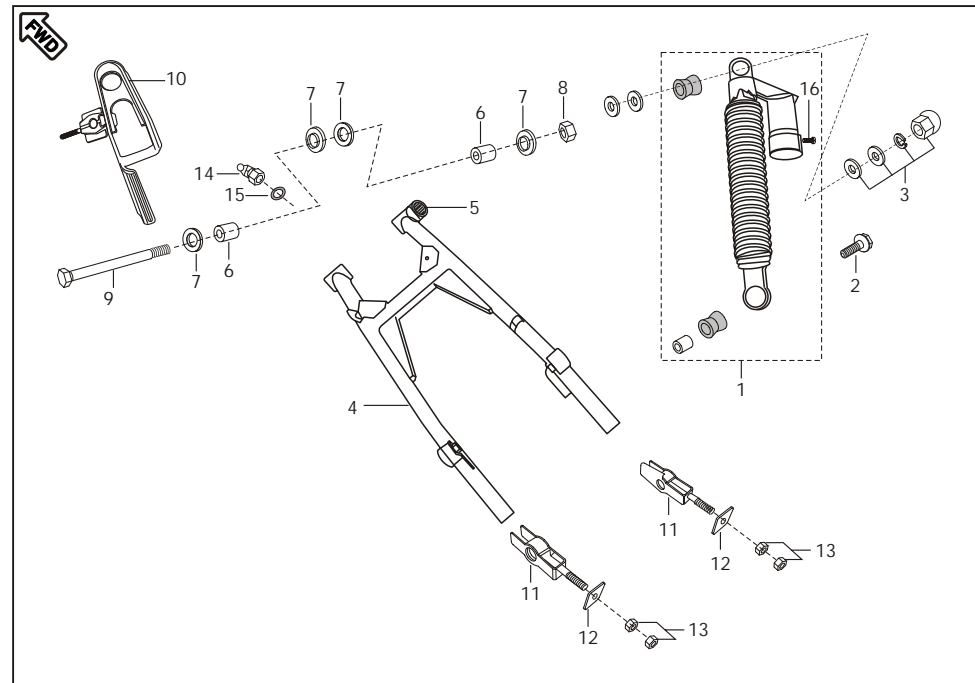
No.	Part No.	Description	Qty/ Veh.	Remarks
1	36 DK00 76	Kit body starter clutch	1	D-40 (Old P. No.DK101595)
2	DK 1016 05	Plate roller clutch	1	
3	JC 1011 12	Gear starter clutch	1	
4	DH 1015 81	Plate starter clutch gear return	1	
5	DH 1013 85	Bolt	1	For stopper plate
6	DK 1011 76	Shaft starter counter	1	
7	DH 1011 72	Collar starter counter	1	
8	JC 1011 15	Gear comp. starter counter assly.	1	
9	59 2000 07	Needle roller bearing	1	
10	39 0972 04	Bolt Socket	3	
11	36 DK00 45	Grease Molykote (200 gm box)	1	For BSC Lubrication@ 5K Kms
12	39 0849 14	Star Washer Toothed	3	
13	DK 1017 70	Cover starter motor	1	D-43 (Old P. No.DJ101278)
14	DH 1013 89	Slotted c'sunk screw	1	
15	DK 1015 96	Spring Starter Clutch	5	
16	DH 1011 63	Roller	5	
17	59 2000 07	Needle roller bearing	1	



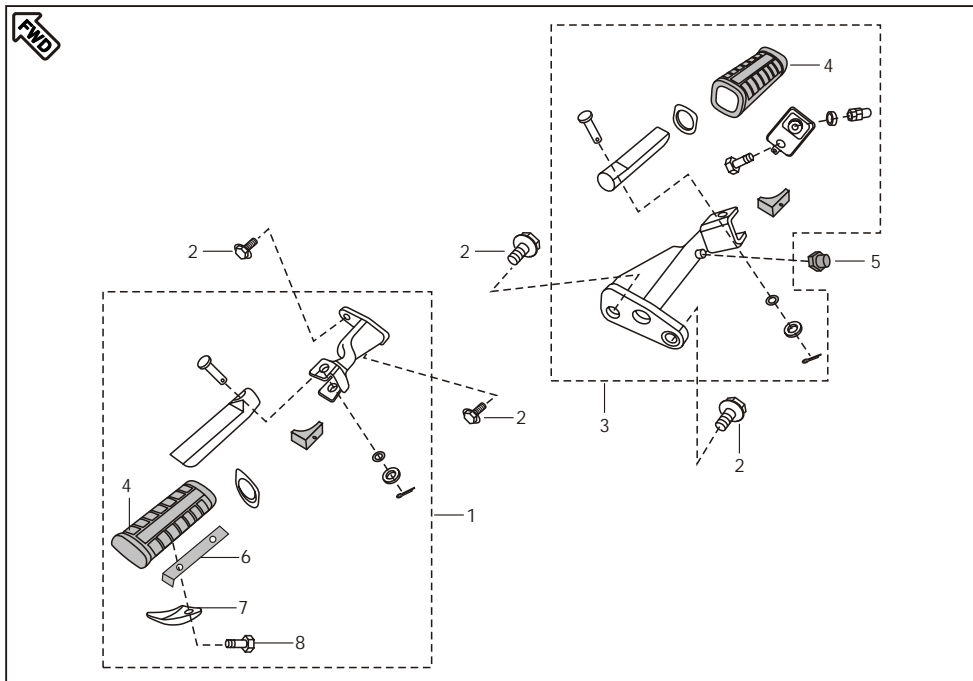
No.	Part No.	Description	Qty/ Veh.	Remarks
1	DK 1610 96	Bkt. Assly. eng. mtg. front	1	
2	DH 1611 89	Bkt. comp. LH eng. mtg. Front	1	
3	DH 1611 90	Bkt. comp. RH eng. mtg. Front	1	
4	36 DK00 11	Kit hardware eng. mtg.	1	Ref. page no. 68
5	DK 1611 59	Bkt. comp. LH eng. mtg. lower	1	
6	DK 1611 60	Bkt. comp. RH eng. mtg. lower	1	
7	39 2157 04	Bolt Flanged	3	
8	39 2412 04	Bolt Flanged	1	Alt. 39 2311 04
9	DH 1612 73	Bush in frame	1	
10	39 1967 04	Bolt	1	
11	59 0400 43	Hex. soc. hd. cap bolt	1	
12	DK 1611 61	Bkt. comp. RH eng. rear	1	
13	39 2310 04	Flanged bolt	2	
14	39 2311 04	Bolt	1	
15	39 2457 11	Washer	1	
16	DK 1612 22	Bracket engine hanger LH	1	
17	DK 1612 23	Bracket engine hanger RH	1	



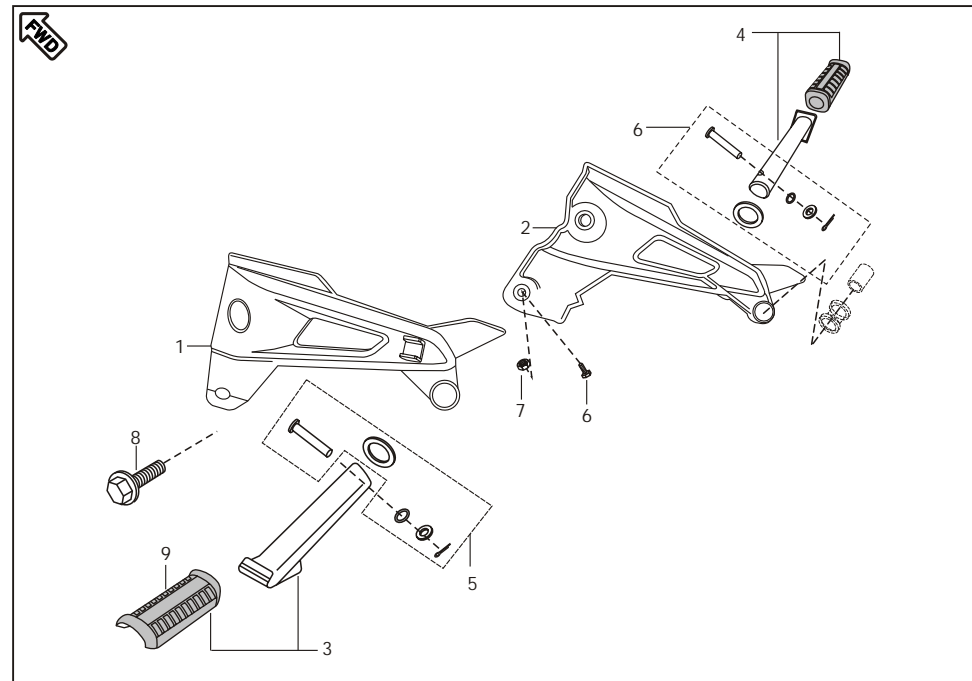
No.	Part No.	Description	Qty/ Veh.	Remarks
1	JC 1610 50	Frame Assly. Comp.	1	(For F)
	JC 1610 49	Frame Assly. Comp.	1	(For S)
2	DH 1611 12	Cup rear	2	
3	DK 1810 75	Nut	1	
4	DK 1810 76	Cup - Steering	1	
5	36 DV00 08	Bearing Cone Kit	1	F-27 (Old P No. 36DV0007)
6	DK 1810 50	Cage bearing upper	1	
7	39 1680 04	Flanged bolt	2	
8	DJ 1611 32	Cable Hook LH	1	
9	DJ 1611 33	Cable Hook RH	1	
10	DK 1810 51	Cage bearing lower	1	



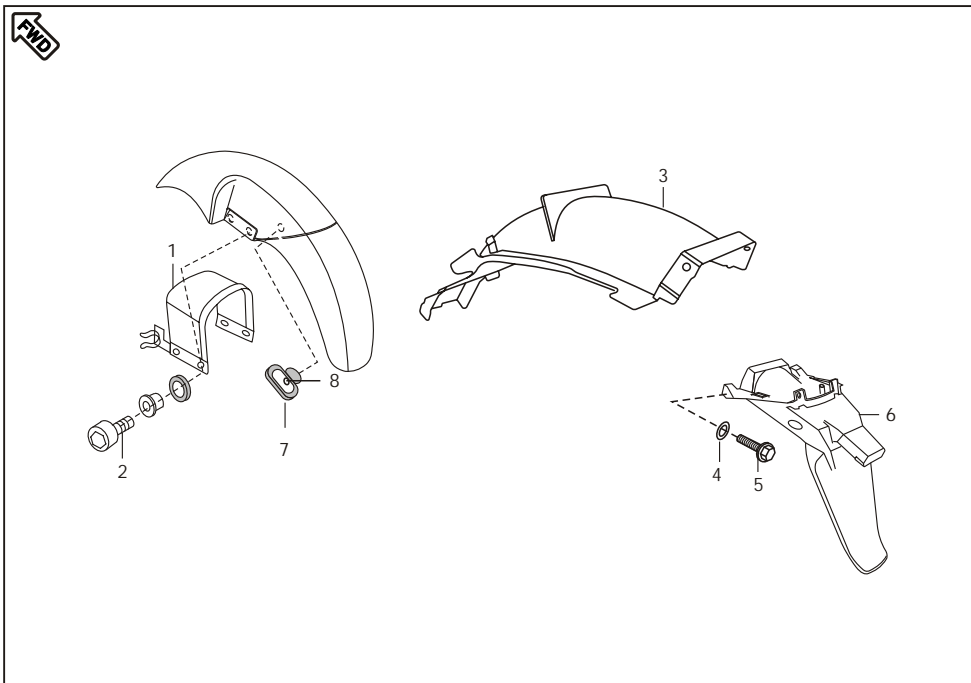
No.	Part No.	Description	Qty/ Veh.	Remarks
1	JC 1710 03	Rear Shock Absorber	2	D-44 (Old P. No.DK171014)
2	DG 1710 38	Bolt Pre-coated	2	
3	36 DK00 12	Kit Bush Rear Shock Absorber	1	Ref. page no. 68
4	DK 1710 11	Swing arm assly.	1	
5	DG 1710 18	Needle bearing	2	
6	DK 1710 06	Collar swing arm	2	
7	DG 1710 19	Dust seal swing arm	4	
8	DH 1710 19	'U' nut swing arm	1	
9	DK 1710 03	Shaft swing arm	1	
10	DG 1710 34	Chain slider guard	1	
11	JM 1710 03	Adjuster chain	2	
12	JM 1710 04	Cap Chain Adjuster	2	
13	39 0292 15	Hexagon nut	4	
14	35 1710 33	Grease nipple	2	
15	39 0740 11	Plain washer (Nylon)	2	
16	DJ 1710 34	Nitrox Screw Assly.	2	(1 Per RSA)



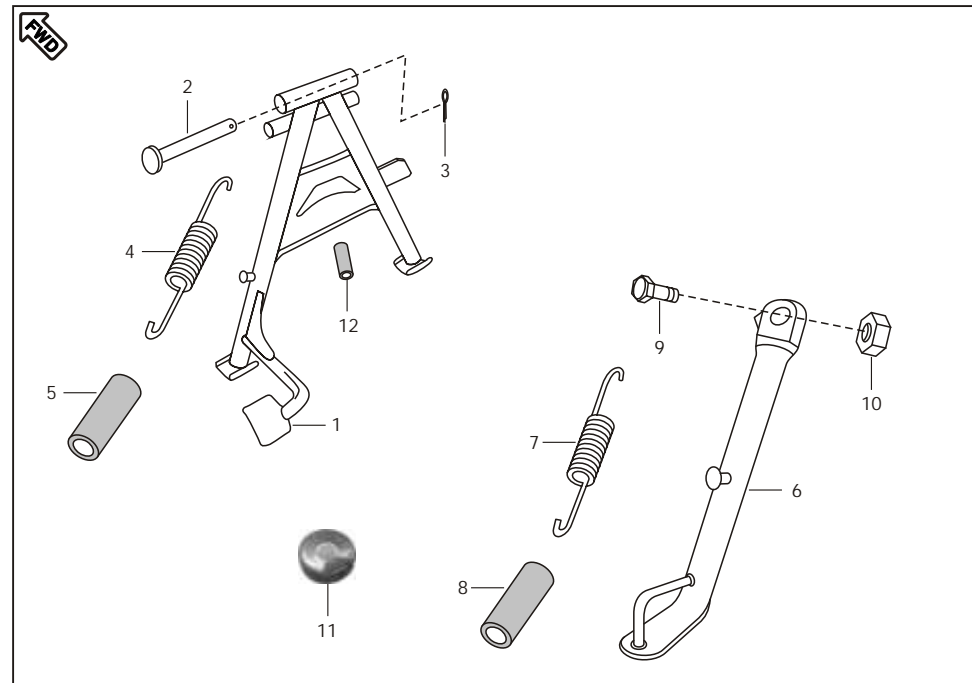
No.	Part No.	Description	Qty/ Veh.	Remarks
1	DJ 1611 26	Main step LH assly. comp.	1	
2	22 1504 51	Flange bolt	4	
3	DJ 1611 27	Main step RH assly. comp.	1	
4	DH 1610 53	Rubber main step	2	
5	DH 1611 94	Kick stopper	1	
6	DX 1610 67	Plate lock pillion step	2	
7	DH 1611 00	Spacer main step	2	
8	39 2475 04	Bolt	2	



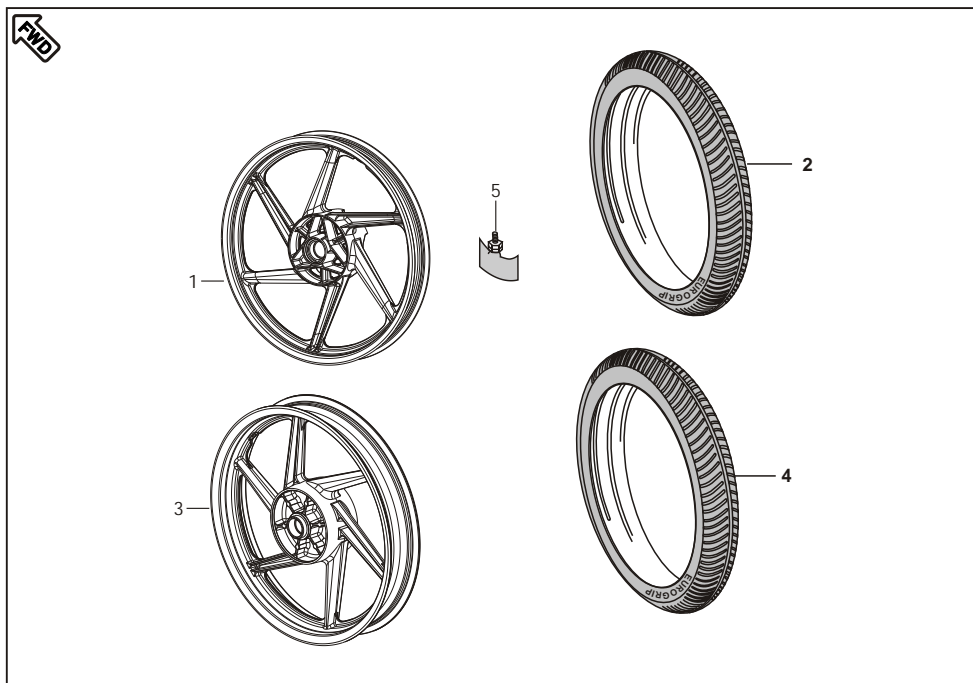
No.	Part No.	Description	Qty/ Veh.	Remarks
1	DK 1611 37	Holder LH step - Silver	1	
	DK 1613 09	Holder LH step - Black	1	D-43 (Old P No. 52DK0167)
2	DK 1611 38	Holder RH step - Silver	1	
	DK 1613 08	Holder RH step - Black	1	D-43 (Old P No. 52DK0168)
3	DJ 1611 28	Pillion step assly. comp. LH	1	
4	DJ 1611 29	Pillion step assly. comp. RH	1	
5	36 DK00 13	Kit hardware pillion	2	Ref. page no. 68
6	39 1069 01	Hexagonal head screw	2	
7	39 0292 15	Nut	1	
8	39 1741 04	Flanged Bolt	2	Bolt Mtg. LH & RH Holder Step
9	DJ 1611 22	Pillion footrest rubber	2	



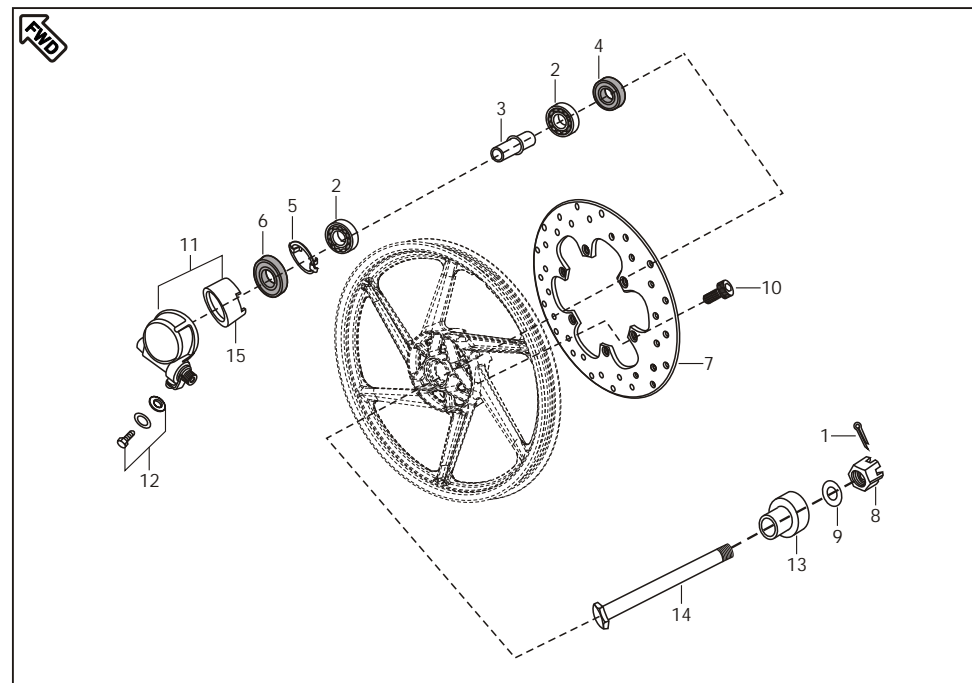
No.	Part No.	Description	Qty/ Veh.	Remarks
1	DK 1610 98	Brace fender	1	
2	59 0400 40	Step bolt	4	
3	DK 1610 86	Fender rear front	1	
4	39 0711 11	Plain washer	4	
5	39 1680 04	Flange bolt	2	
6	DK 1610 85	Fender rear	1	
7	DS 1611 25	Cable guide	1	
8	DJ 1610 69	Nail Cable guide	1	



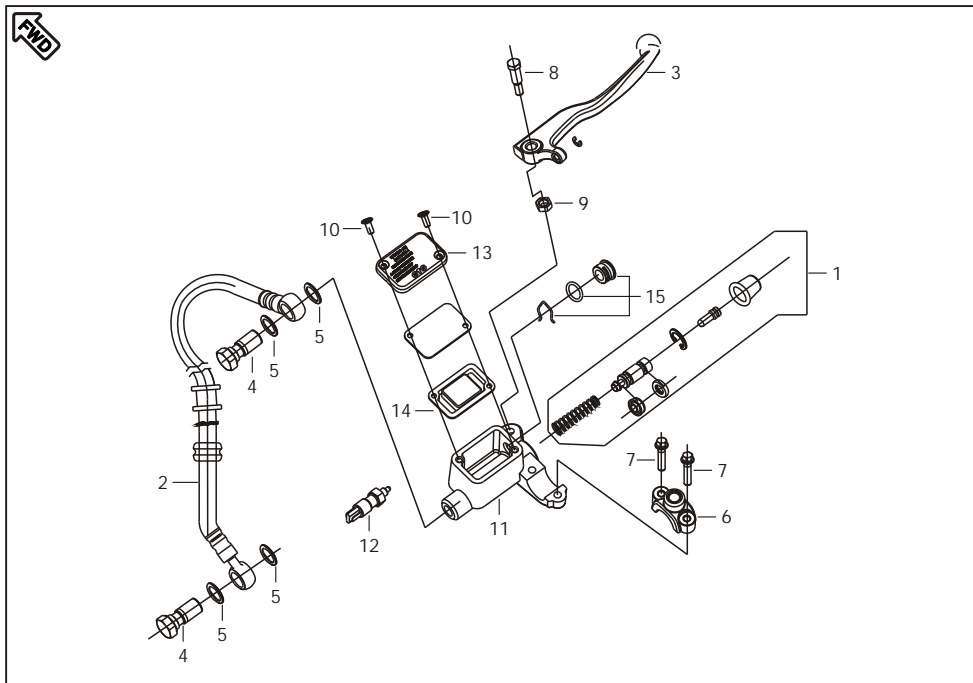
No.	Part No.	Description	Qty/ Veh.	Remarks
1	DK 1611 22	Stand main	1	
2	30 1611 57	Shaft stand	1	
3	39 0787 08	Pin cotter	1	
4	DH 1611 21	Spring main stand	1	
5	DH 1611 45	Cover spring main stand	1	
6	JC 1610 17	Stand side	1	
7	DH 1610 66	Spring side stand	1	
8	DH 1611 46	Cover spring side stand	1	
9	DF 1611 02	Bolt	1	
10	39 0422 15	Nut	1	
11	DJ 2011 06	Magnet assembly	1	
12	DJ 1611 24	Main Stand Rubber	1	



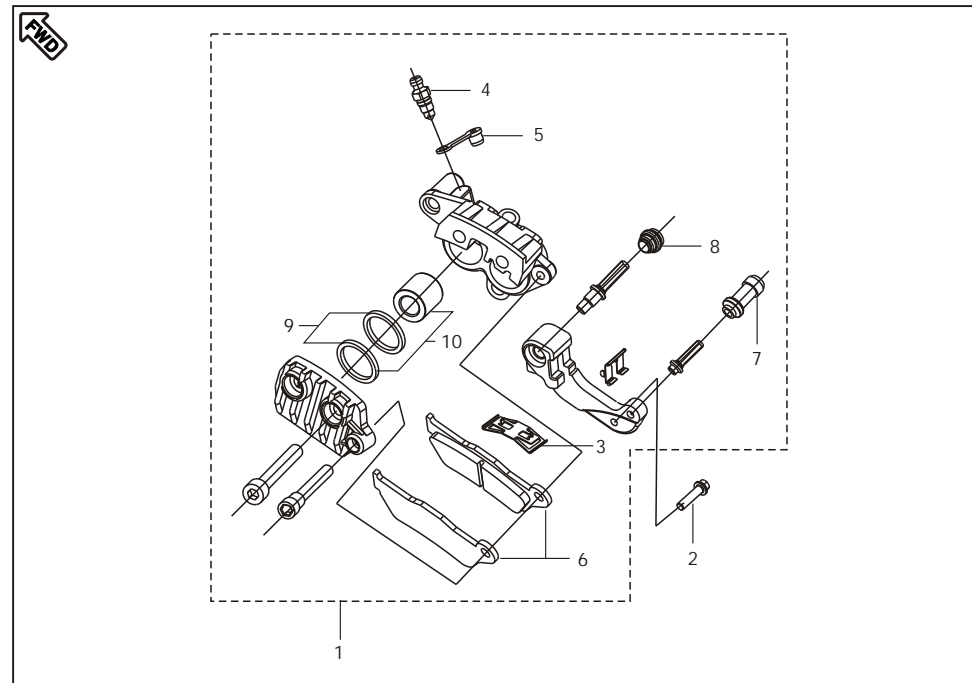
No.	Part No.	Description	Qty/ Veh.	Remarks
1	JC 1510 13	Wheel rim front	1	
2	DK 1510 39	Tubeless tyre front	1	Not serviceable
3	DK 1510 50	Wheel rim rear	1	
4	DK 1510 40	Tubeless tyre rear	1	Not serviceable
5	DK 1510 26	Valve for tubeless tyre	2	



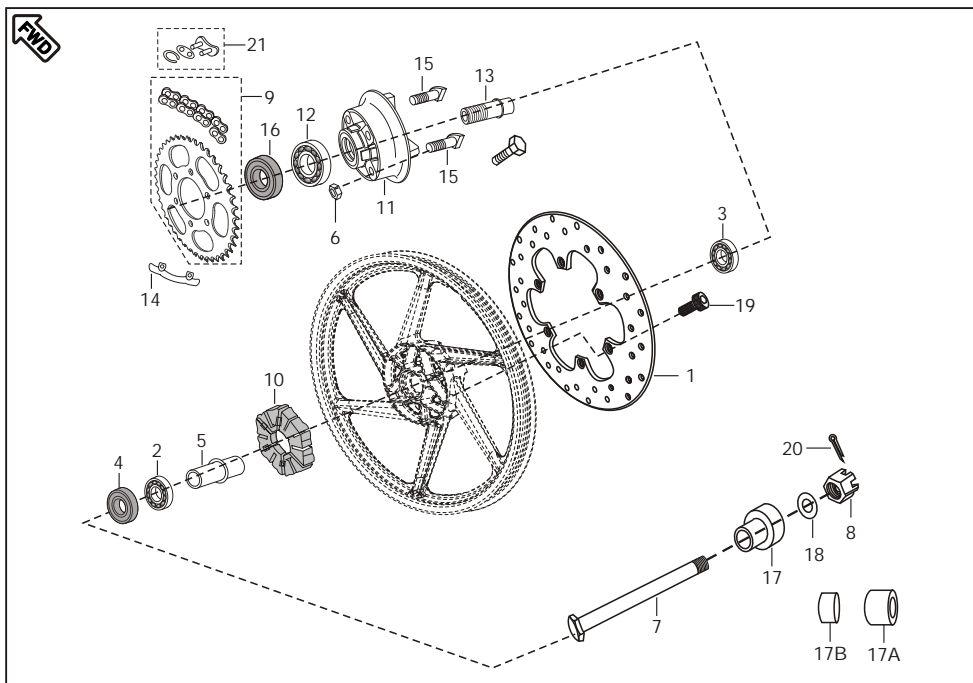
No.	Part No.	Description	Qty/ Veh.	Remarks
1	39 0787 08	Pin cotter	1	
2	39 2241 20	Bearing ball	2	
3	DK 1510 28	Spacer assly.	1	
4	DG 1510 05	Seal oil	1	
5	DE 1510 12	Plate drive	1	
6	DE 1510 08	Seal oil	1	
7	DK 1510 27	Disc	1	
8	DH 1710 19	U nut	1	
9	DG 1510 08	Plain washer	1	
10	DG 1510 49	Hex. soc. hd. bolt	6	
11	JC 1510 20	Case meter assly.	1	Applicable to all versions of Pulsar 220 & 200
12	JC 2010 50	Hardware Kit	1	
13	DG 1510 07	Collar	1	
14	DK 1510 08	Axle	1	
15	DK 2010 98	Sensor Speedometer	1	



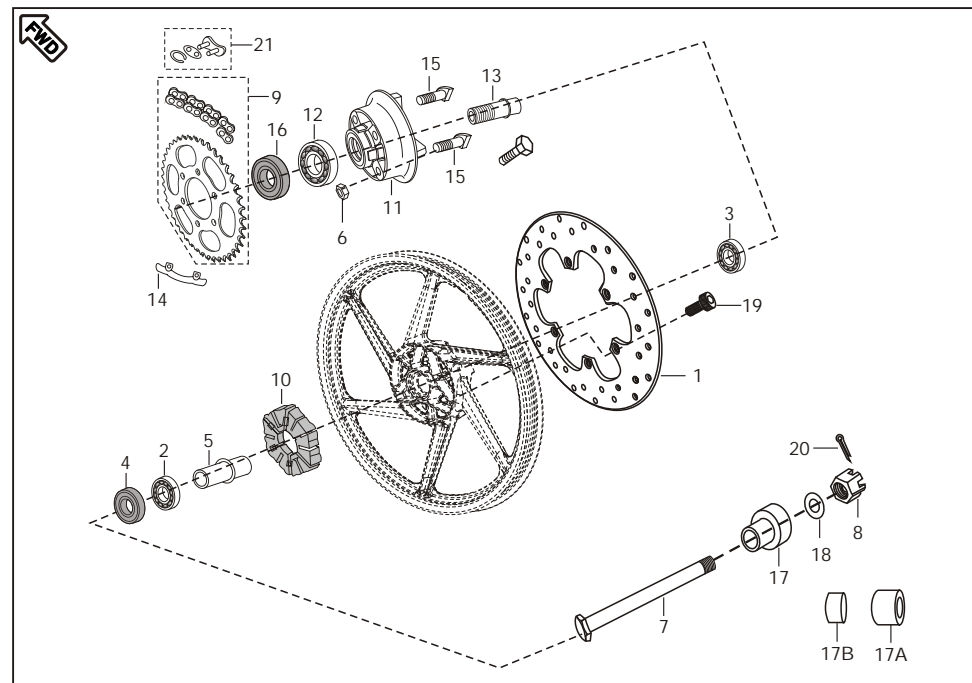
No.	Part No.	Description	Qty/ Veh.	Remarks
1	36 DH40 48	Major Kit - Master Cylinder	1	F-31 (Old P No.DE191043)
2	DK 1510 57	Hose Brake Front	1	
3	DJ 1910 06	Lever Grip RH	1	
4	DE 1910 11	Banjo Bolt	2	
5	DE 1910 10	Washer Copper	4	
6	DE 1910 33	Clamp Holder RH	1	
7	DJ 1910 28	Bolt	2	
8	DJ 1910 29	Bolt Front Brake Lever	1	
9	DJ 1910 30	Nut Flanged	1	
10	DE 1910 30	Screw	2	
11	DJ 1910 32	Cylinder Master	1	
12	DJ 2011 09	Front brake switch	1	
13	DE 1910 29	Reservoir Cover	1	
14	DK 1510 72	Diaphragm	1	Not Serviceable
15	DE 1910 35	Oil Window Kit	1	



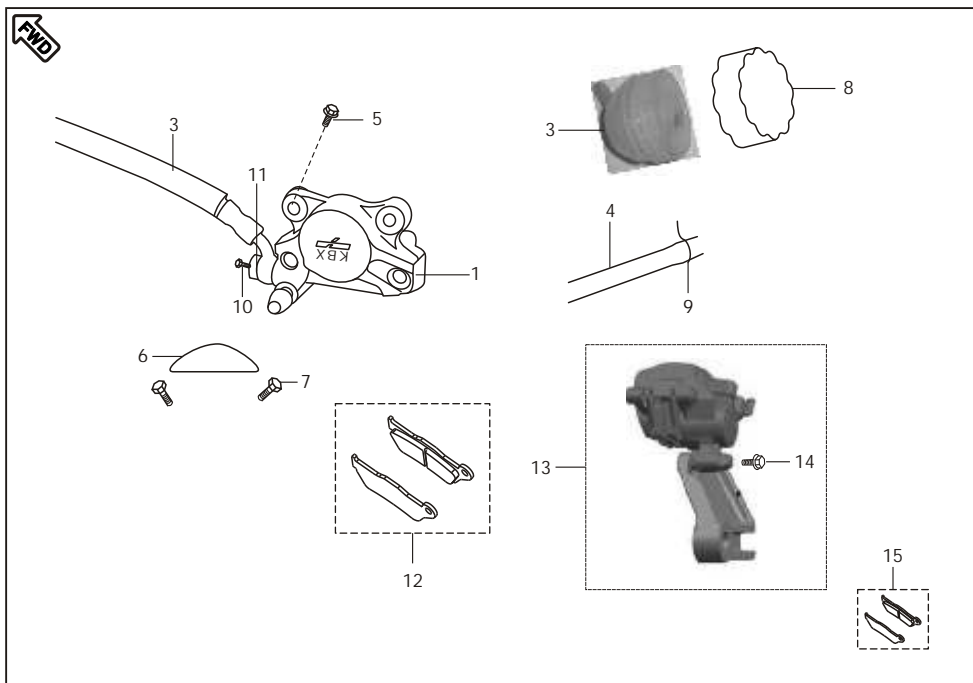
No.	Part No.	Description	Qty/ Veh.	Remarks
1	DK 1510 54	Caliper Assly. Front	1	
2	39 1769 04	Bolt Flanged	2	
3	DE 1510 48	Spring Pad	1	
4	DE 1510 46	Bleeder Screw	1	
5	DE 1510 47	Bleeder Cap	1	
6	DE 1510 37	Disc Pad Set	1	
7	DE 1510 43	Insulator	1	
8	DJ 1510 73	Protection Boot	1	
9	36 DK00 65	Minor kit caliper	1	F-31 (Old P No.DE151051)
10	36 DK00 66	Minor kit caliper	1	F-31 (Old P No.DE151052)



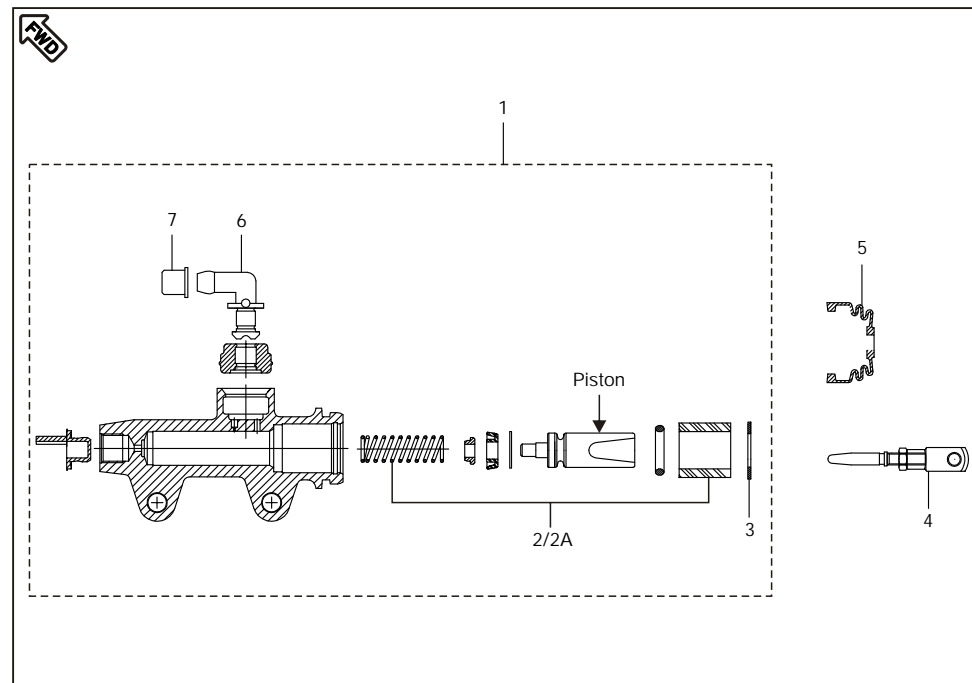
No.	Part No.	Description	Qty/ Veh.	Remarks
1	DK 1510 24	Rear disc	1	
2	39 2686 20	Ball bearing	1	
3	39 2687 20	Ball bearing	1	
4	30 1510 82	Seal oil	1	
5	DK 1510 22	Collar bearing assly.	1	
6	39 1997 15	Nut hex small	6	
7	DK 1510 09	Axel rear	1	
8	DH 1710 19	"U" nut	1	
9	36 DK00 40	Chain sprocket kit	1	Ref. page no. 68
10	DJ 1510 88	Coupling rubber	1	
11	JC 1510 16	Coupling	1	
12	DK 1510 13	Ball Bearing	1	
13	DK 1510 15	Sleeve	1	
14	DS 1510 74	Washer lock	6	
15	DS 1510 73	Stud	2	



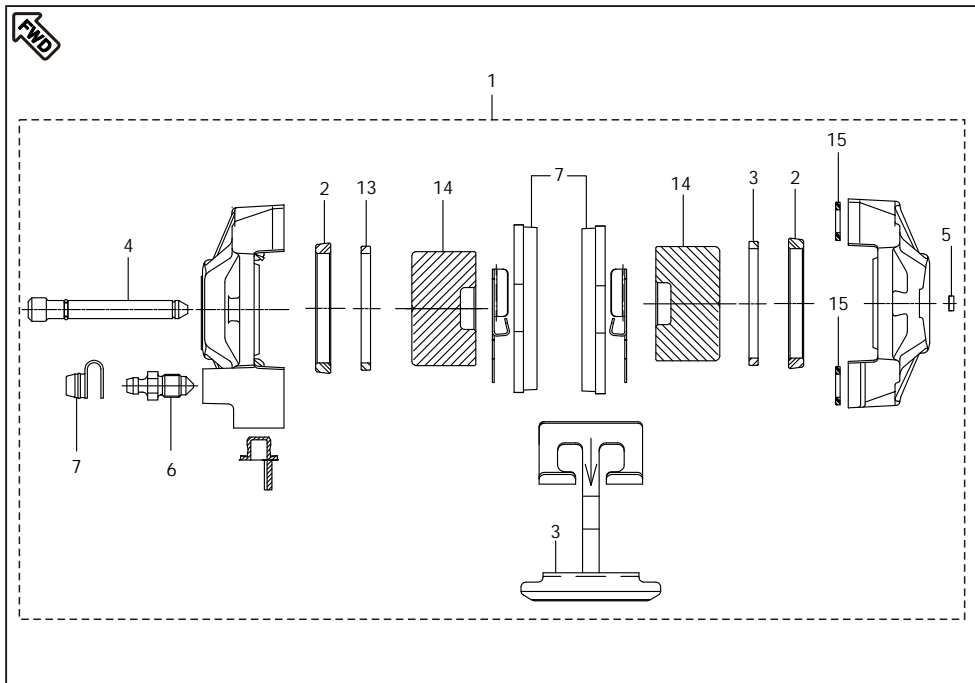
No.	Part No.	Description	Qty/ Veh.	Remarks
16	DK 1510 12	Oil Seal	1	
17	DK 1510 17	Spacer	1	
17A	DK 1510 81	Spacer	1	For Floating Type Caliper assly.
17B	DK 1510 82	Spacer	1	For Floating Type Caliper assly.
18	DG 1510 08	Washer	1	
19	DG 1510 49	Hex soc. HD bolt	6	
20	39 0787 08	Pin cotter	1	
21	DK 1510 36	Drive chain lock	1	



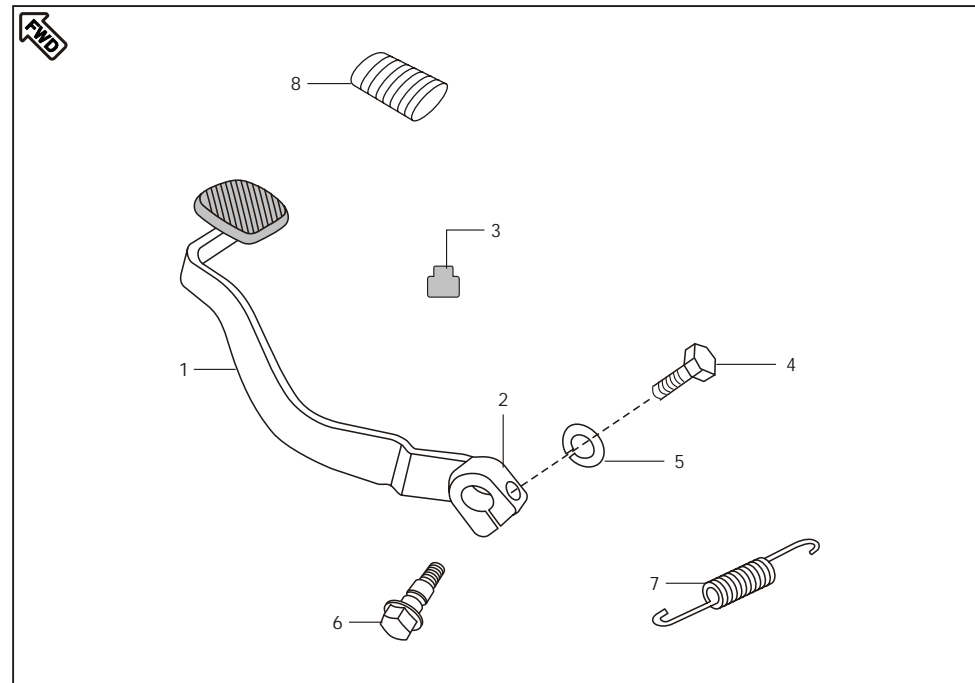
No.	Part No.	Description	Qty/ Veh.	Remarks
1	DK 1510 59	Caliper assembly rear	1	
2	DK 1510 32	Hose disc brake	1	
3	DK 1510 33	Reservoir rear disc brake	1	
4	DK 1510 34	Reservoir tube	1	
5	39 2310 04	Flange bolt	2	
6	DK 1510 23	Caliper bracket	1	
7	39 2481 04	Caliper bracket Bolt	2	
8	DK 1510 45	Reservoir Wire cap	1	
9	DK 1510 63	Clip for reservoir tube	2	
10	DK 1510 69	Banjo Bolt	1	
11	DE 1910 10	Copper Washer	1	
12	DK 1510 38	Disc Pad Modified FLOATING TYPE CALIPER ASSLY	1	
13	DK1510 83	Caliper Assly.	1	
14	39 2310 04	Bolt	2	
15	DK 1510 85	Rear brake pads	1	



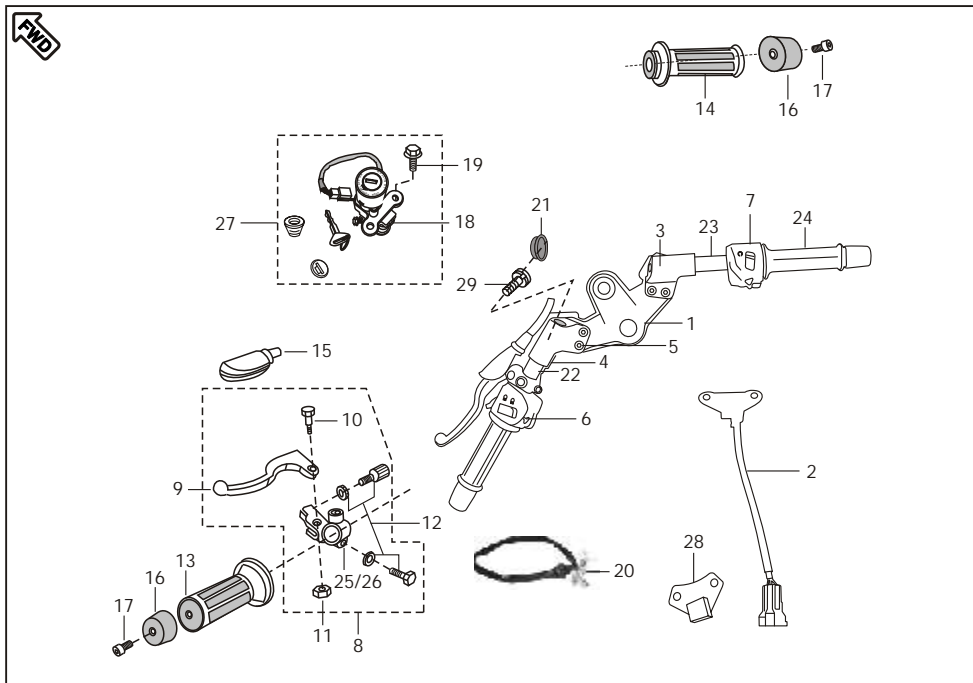
No.	Part No.	Description	Qty/ Veh.	Remarks
1	DK 1510 31	Master Cylinder	1	
2	36 DK00 69	Major kit caliper	1	F-31 (Old P No.DK151073)
2A	36 DK00 70	Minor kit caliper	1	F-31 (Old P No.DK151074)
3	DK 151078	Circlip	1	
4	36 DK00 71	Push Rod	1	F-31 (Old P No.DK151043)
5	DK 1510 42	Boot	1	
6	DK 1510 76	Connector	1	
7	DK 1510 77	Cap	1	



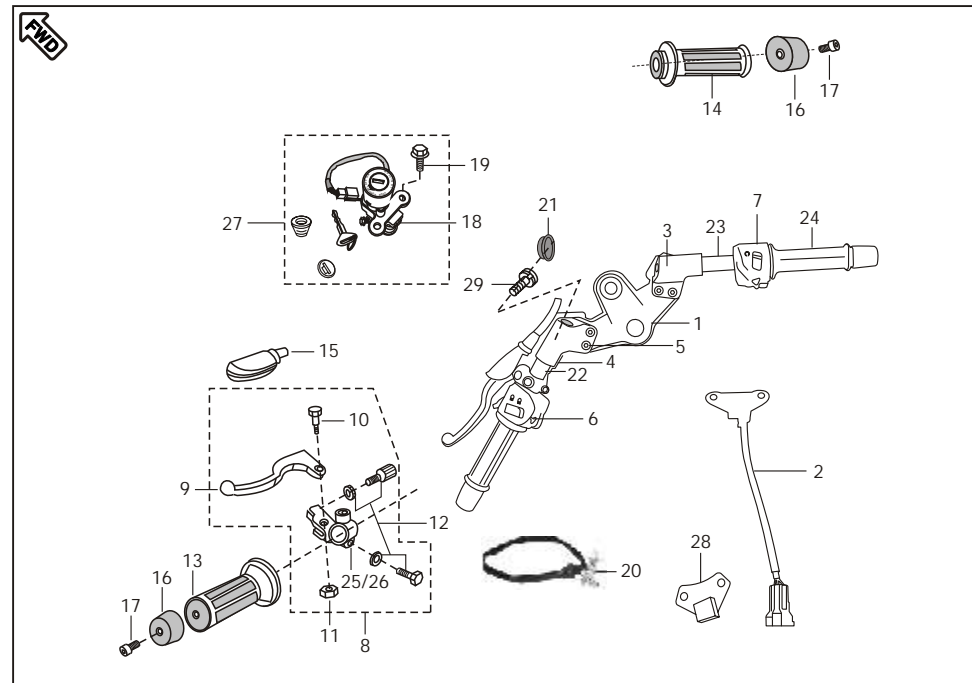
No.	Part No.	Description	Qty/ Veh.	Remarks
1	DK 1510 59	Caliper assly. Rear	1	
2	DK 1510 68	Seal	2	
3	DK 1510 41	Spring Pad	1	
4	DK 1510 64	Pin	1	
5	DK 1510 65	Circlip	1	
6	DK 1510 67	Bleeder Screw	1	
7	DK 1510 66	Bleeder cap	1	
8	DK 1510 88	Piston Kit (major kit) floating caliper	1	Refer Page no. 69
9	DK 1510 89	Kit Piston Seal (Minor Kit)	1	Refer Page no. 69
10	DK 1510 90	Insulator Kit floating caliper	1	Refer Page no. 69
11	DK 1510 71	Caliper Major Kit	1	(Includes Sr. No. 2.3.4.5)
	36 DK00 68	Kit Caliper Major with Grease	1	F-31- 03.12.2012
12	DK 1510 70	Caliper Minor Kit	1	(Includes Sr. No. 2.3.4.5)
	36 DK00 67	Kit Caliper Minor with Grease	1	F-31- 03.12.2012
13	Not Serviceable	Scraper Ring	2	
14	Not Serviceable	Piston	2	
15	Not Serviceable	'O' Ring	2	



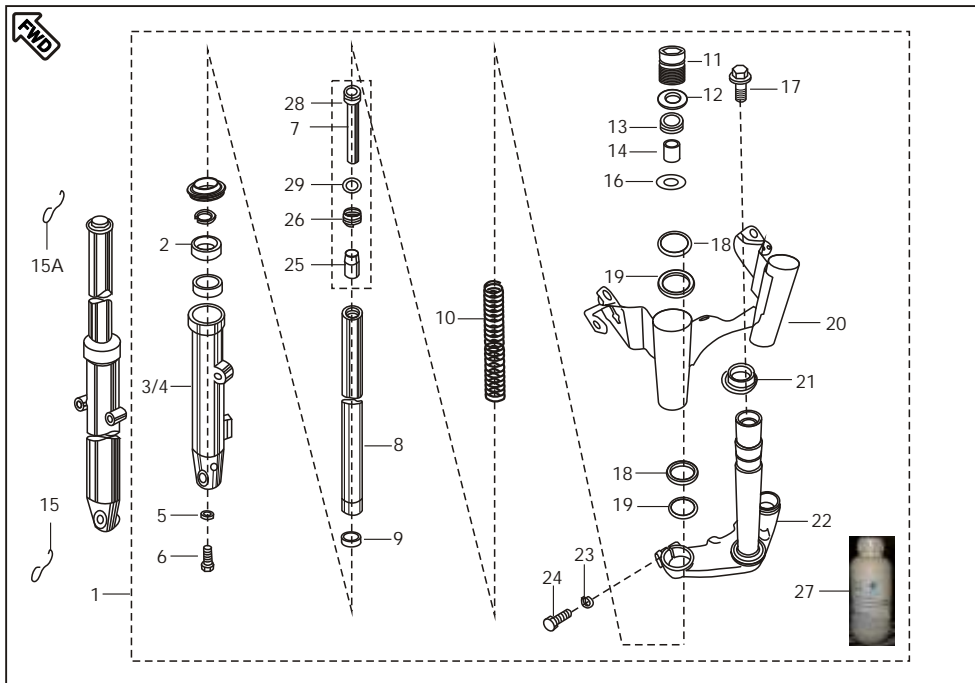
No.	Part No.	Description	Qty/ Veh.	Remarks
1	DK 1910 12	Lever Brake Pedal	1	
2	DK 1011 84	Boss lever change	1	
3	DG 1013 39	Damper	1	
4	DK 1011 86	Bolt pivot lever change	1	
5	DK 1011 85	Washer pivot bolt	1	
6	DK 1011 87	Collar pivot bolt	1	
7	DK 1910 13	Spring brake pedal	1	
8	DG 1013 39	Brake pedal rubber	1	



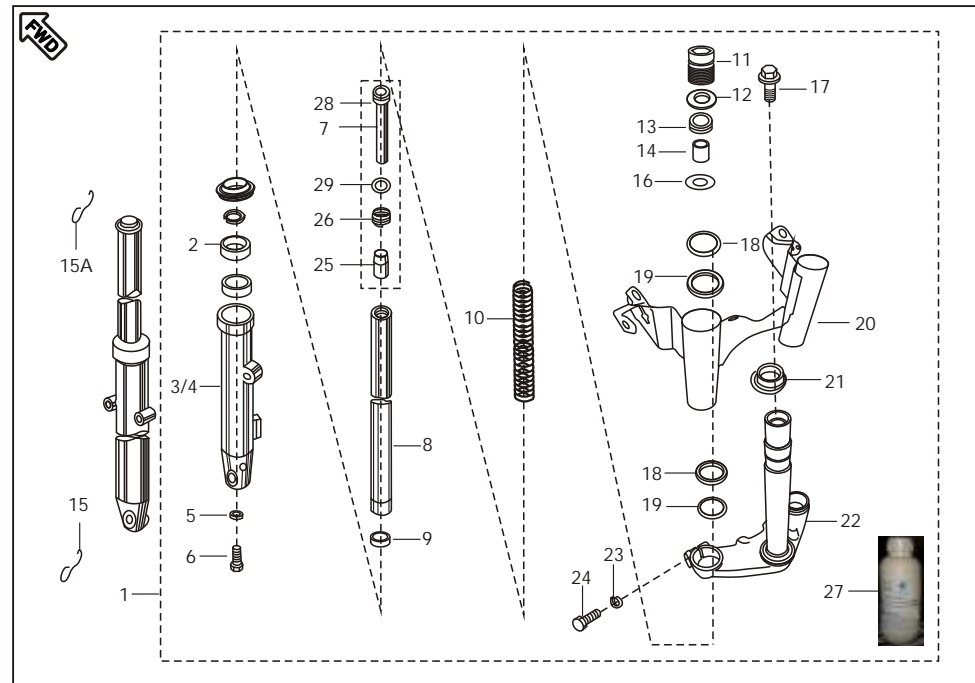
No.	Part No.	Description	Qty/ Veh.	Remarks
1	DK 1810 30	Holder handle	1	Silver colour
	DK 1810 63	Holder handle	1	Black colour
2	DK 2010 76	Hall sensor assly.	1	
3	DK 1810 32	Holder handle RH	1	
	DK 1810 85	Holder handle RH	1	Black, D-42 (Old-DK181062)
4	DK 1810 39	Holder handle LH	1	Black colour
	DK 1810 81	Holder handle LH	1	Black, D-42 (Old-DK181060)
5	DG 1810 08	Allen bolt	4	
6	DK 2011 40	Control switch LH (For F)	1	D-48 (Old-DK201070)
	JC 2010 17	Control switch LH	1	(For S)
7	DK 2011 41	Control switch RH (For F)	1	D-48 (Old-DK201071)
	JC 2010 18	Control switch RH	1	(For S)
8	DJ 1910 09	Lever assly. grip LH	1	
9	DJ 1910 55	Lever LH	1	
10	DL 1910 14	Stud lever handle	1	
11	39 1184 15	Self locking nut	1	
12	36 DK00 19	Hardware Holder kit LH	1	Ref. page no. 69
13	DH 1910 07	Grip LH	1	
14	DH 1910 08	Grip RH	1	
15	DH 1910 19	Boot for lever	1	



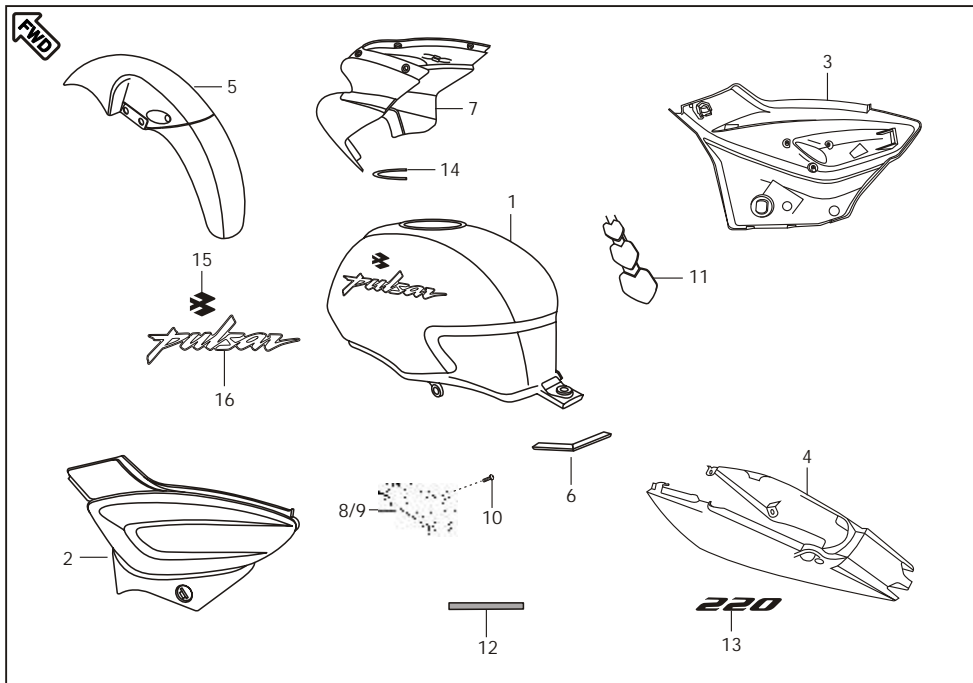
No.	Part No.	Description	Qty/ Veh.	Remarks
16	DH 1810 22	Handle bar weight	2	(For F)
	DJ 1810 11	Handle bar weight	2	(For S)
17	DH 1810 40	Hex. soc. hd. cap screw	2	
18	DK 2010 15	Switch assly. ignition	1	(For F)
	JC 2010 45	Switch assly. ignition	1	(For S)
19	39 1943 04	Flange bolt	2	
20	DK 2010 83	Clutch Switch	1	(For F)
	DJ 2011 95	Clutch Switch	1	(For S)
21	DK 1810 36	Handle bar plug	2	
22	DK 1810 82	Handle bar tube assly. LH	1	D-42 (Old-DK181046)
23	DK 1810 86	Handle bar tube assly. RH	1	D-42 (Old-DK181047)
24	DH 1910 17	Pipe throttle	1	
25	DK 2210 22	Mirror holder LH	1	(For F)
	DK 2010 14	Mirror holder LH	1	(For S)
26	DK 2210 23	Mirror holder RH	1	(For F)
	DK 2210 15	Mirror holder RH	1	(For S)
27	DK 1810 34	Lock set 4-in-1	1	(For F)
	JC 1810 29	Lock set 4-in-1	1	(For S)
28	36 DK00 91	Kit Magnet + Hall Sensor	1	(For F) D-46 - 26.03.2012
	36 DJ40 30	Kit Magnet + Hall Sensor	1	(For S) D-46 - 26.03.2012
29	LA C000 20	Handle Bar bolt kit	1	Old-36DK0052



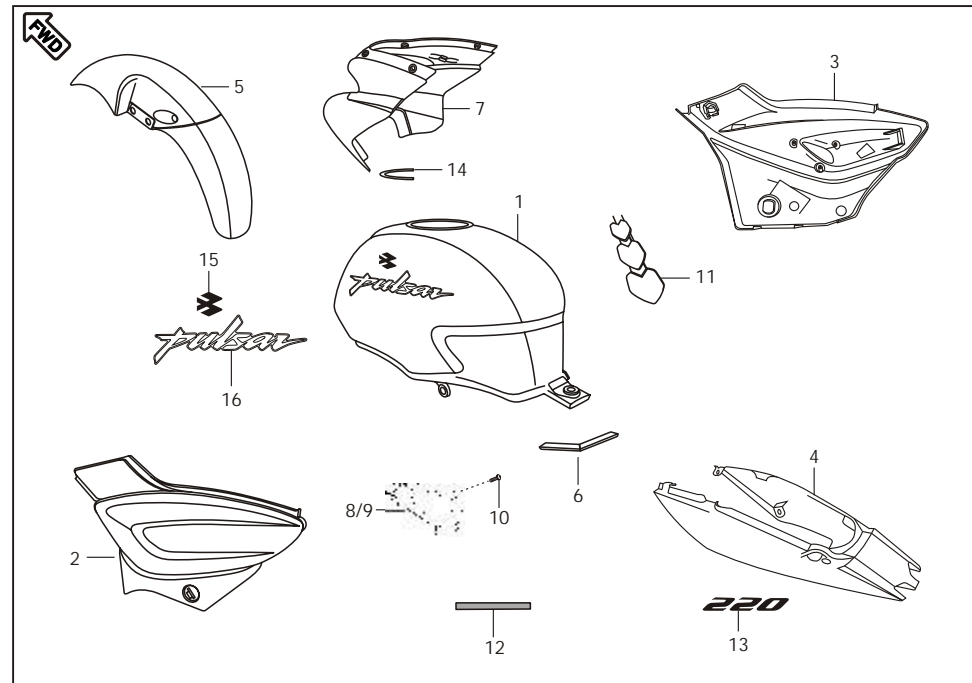
No.	Part No.	Description	Qty/ Veh.	Remarks
1	DK 1810 72	Fork front	1	
2	DK 1810 19	Oil seal	2	
3	DK 1810 56	Outer Tube LH	1	
4	DK 1810 57	Outer Tube RH	1	
5	DK 1810 07	Copper Washer	2	
6	DK 1810 06	Bolt	2	
7	DK 1810 10	Seat Pipe (Cylinder comp. fork)	2	
8	DK 1810 70	Pipe comp. suspension inner	2	
9	DK 1810 11	Slide Bush	2	
10	DK 1810 73	Spring front fork	2	
11	DK 1810 22	Bolt fork	2	
12	DK 1810 23	'O' ring	2	
13	30 1810 28	Seat fork spring	2	
14	DK 1810 71	Spacer Tube	2	
15	DK 1810 48	Clamp for brake hose lower	1	
15A	DK 1810 37	Clamp for brake hose upper	1	



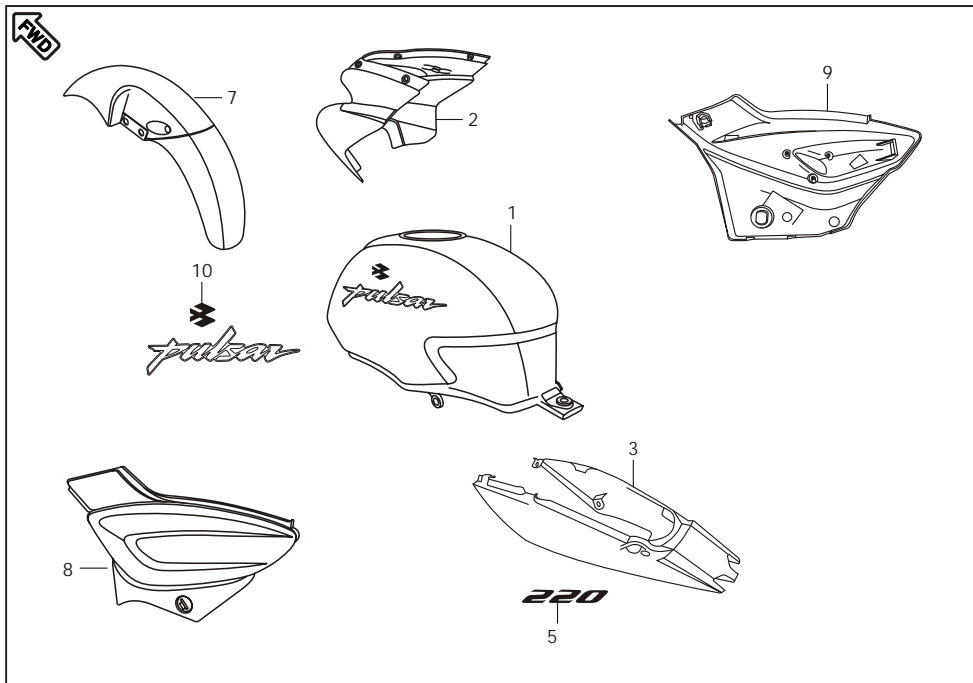
No.	Part No.	Description	Qty/ Veh.	Remarks
16	DK 1810 18	Washer	2	
17	59 0400 05	Bolt	1	
18	JC 1810 23	Cushion Rubber	2	
19	JC 1810 22	Cover Trail B	4	
20	JC 1810 24	Lamp Shade asly.	1	
21	DG 1810 05	Bearing cone	1	Included in kit 36 DV00 07
22	DK 1810 24	Holder fork under	1	
23	DK 1810 25	Spring washer	2	
24	DK 1810 08	Flange Bolt	2	
25	DK 1810 17	Guide bush	1	
26	DK 1810 13	Rebound spring	2	
27	36 3140 04	Fork Oil Bottle 160 ml	1	
28	DK 1810 09	Cap Oil Lock	2	
29	DK 1810 12	Piston Ring	2	



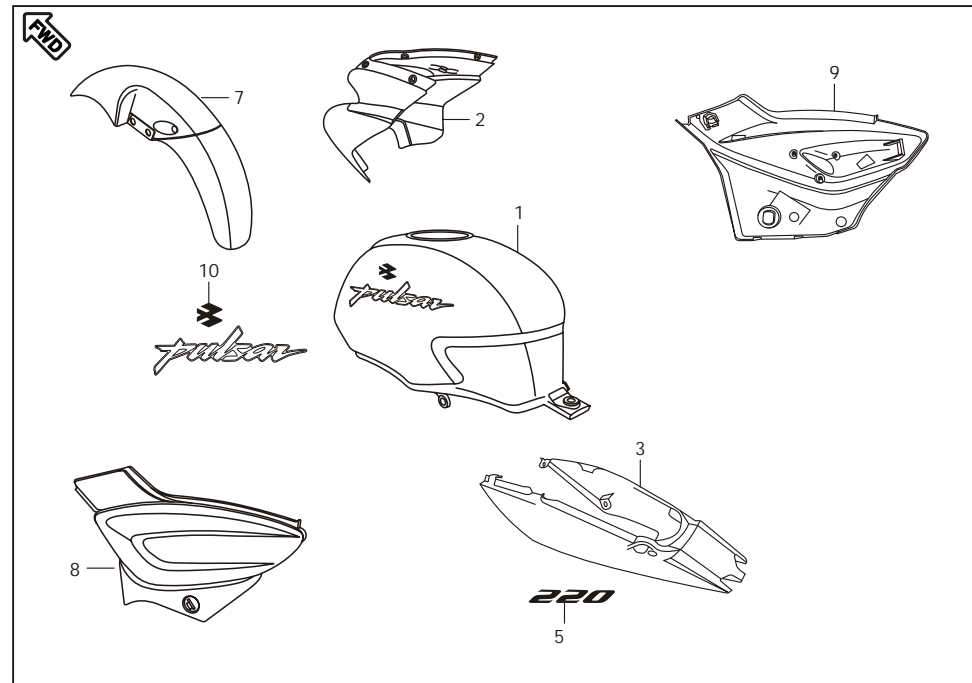
No.	Part No.	Description	Qty/ Veh.	Remarks	
1	DK 7103 2V	Fuel Tank	1	For Wine Red	
	DK 7103 4K	Fuel Tank	1	For Plasma Blue	
	DK 7103 4L	Fuel Tank	1	For Grey Silver	
	DK 7103 4M	Fuel Tank	1	For Midnight Black	
	DK 7103 5C	Fuel Tank	1	For Orange Metallic	
2	52 DH05 30	Side cover LH (for F&S)	1	For Wine Red	
	52 DH05 28	Side cover LH (for F&S)	1	For Plasma Blue	
	52 DH05 32	Side cover LH (for F&S)	1	For Grey Silver	
	52 DH05 34	Side cover LH (for F&S)	1	For Midnight Black	
	52 DH05 31	Side cover RH (for F&S)	1	For Wine Red	
3	52 DH05 29	Side cover RH (for F&S)	1	For Plasma Blue	
	52 DH05 33	Side cover RH (for F&S)	1	For Grey Silver	
	52 DH05 35	Side cover RH (for F&S)	1	For Midnight Black	
	4	DH 7308 2V	Seat Cowl Assly. (for F&S)	1	For Wine Red
		DH 7303 4K	Seat Cowl Assly. (for F&S)	1	For Plasma Blue
DH 7303 4L		Seat Cowl Assly. (for F&S)	1	For Grey Silver	
DH 7303 4M		Seat Cowl Assly. (for F&S)	1	For Midnight Black	
DH 7303 5C		Seat Cowl Assly. (for F&S)	1	For Orange Metallic	
5	DK 7304 2V	Front Fender	1	For Wine Red	
	DK 7304 4K	Front Fender	1	For Plasma Blue	
	DK 7304 4L	Front Fender	1	For Grey Silver	



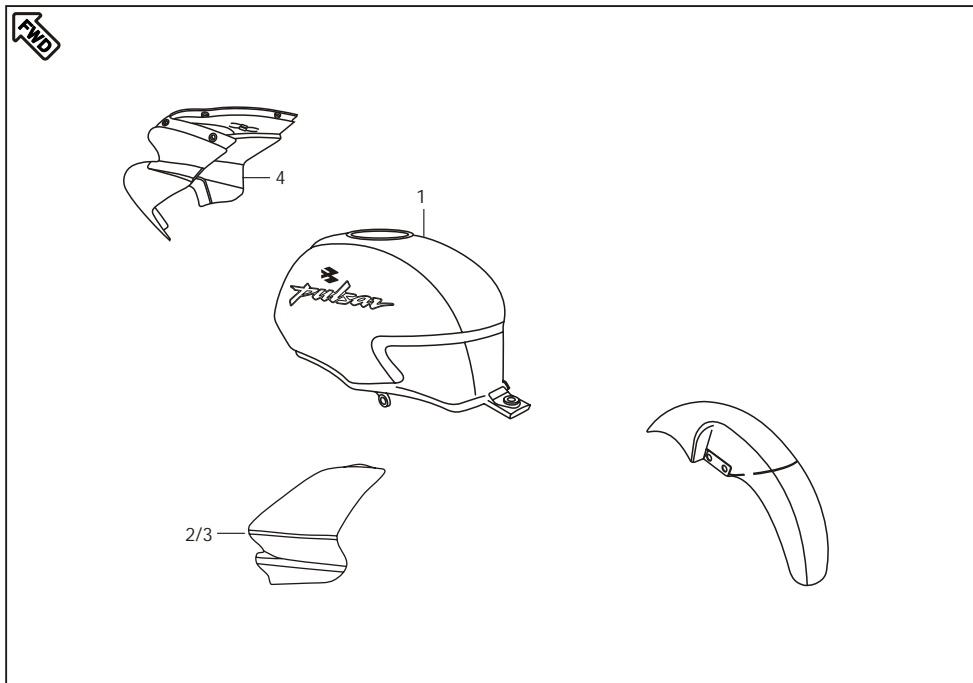
No.	Part No.	Description	Qty/ Veh.	Remarks	
6	DK 7304 4M	Front Fender	1	For Midnight Black	
	DH 1410 20	Seat tape	1		
	7	DK 7401 2V	Fairing	1	For Wine Red
		52 DK02 00	Fairing (DK75042V) With Red Dcl	1	D-43 - 03.10.2011
	8	DK 7401 4K	Fairing	1	For Plasma Blue
52 DK02 01		Fairing (DK75044K) With Blue Dcl	1	D-43 - 03.10.2011	
9	DK 7401 4L	Fairing	1	For Grey Silver	
	DK 7401 4M	Fairing	1	For Midnight Black	
	DK 7401 5C	Fairing	1	For Orange	
	8	DK 1611 23	Cover Side Mesh LH	1	(for F&S)
	9	DK 1611 24	Cover Side Mesh RH	1	(for F&S)
10	59 0200 01	Self tap screw	6	(for F&S)	
11	DK 1410 15	Tank Pad	1	(for F&S)	
12	DK 1612 10	Foam Tape II	16		
13	DK 1612 55	Decal for seat cowl	1	Common For All	
14	DK 1612 57	Decal for seat cowl	1	For Orange	
	DK 1810 74	Beading For Fairing	1		
15	JC 1410 49	B Monogram	1	For Red Blue Black	
	JC 1410 53	B Monogram	1	For Silver	
16	JC 1410 39	Pulsar Tank Decal	1	For Red Blue Black	
	JC 1410 40	Pulsar Tank Decal	1	For Silver	



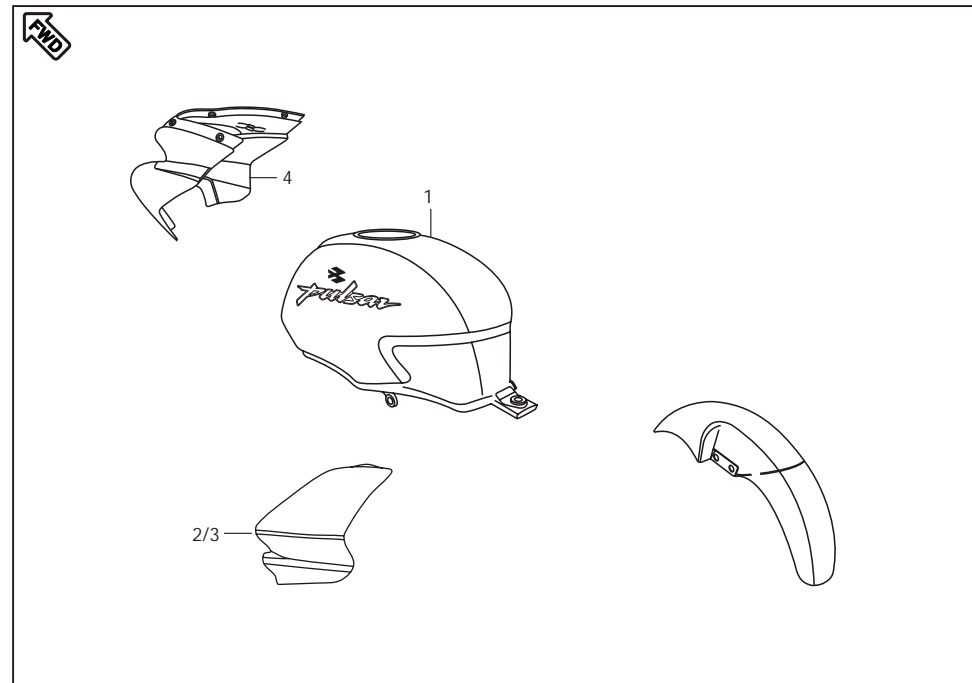
No.	Part No.	Description	Qty/ Veh.	Remarks
1	52 DK02 69	P Tank M Blk+Saf Blue Dcl	1	
	52 DK02 67	P Tank Mn Blk+Metallic White Dcl	1	
	52 DK02 68	P Tank M Blk+W Red Dcl	1	
2	52 DK02 65	Fairing S Blue+Dcl M White	1	
	52 DK02 64	Fairing S Blue+Dcl S Blue	1	
	52 DK02 63	Fairing S Blue+Dcl W Red	1	
3	56 DK45 5Y	Seat Cowl Metallic White	1	
	56 DK45 5N	Seat Cowl Saffire Blue	1	
	56 DK45 27	Seat Cowl Wine Red	1	
4	36 DK01 02	Kit Fairing Dcl M White	1	
	36 DK00 96	Kit Fairing Dcl S Blue	1	
	36 DK00 99	Kit Fairing Dcl W Red	1	
5	36 DK01 04	Kit S Cowl Dcl M White	1	
	36 DK00 98	Kit S Cowl Dcl S Blue	1	
	36 DK01 01	Kit S Cowl Dcl W Red	1	
6	36 DK01 03	Kit Tank Dcl M White	1	
	36 DK00 97	Kit Tank Dcl S Blue	1	
	36 DK01 00	Kit Tank Dcl W Red	1	
7	52 DJ05 21	Front Fender Assly Metallic White	1	
	52 DJ05 20	Front Fender Assly Saffire Blue	1	
	52 DJ05 22	Front Fender Assly Wine Red	1	



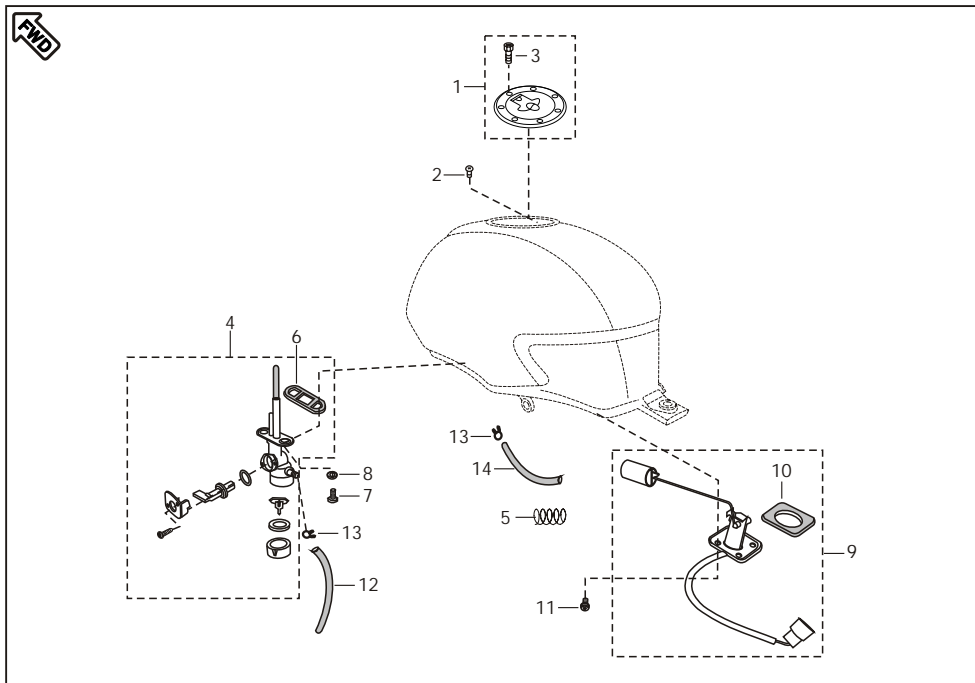
No.	Part No.	Description	Qty/ Veh.	Remarks
8	52 DJ05 34	Cover Side LH Met White	1	
	52 DJ05 32	Cover Side LH Saffire Blue	1	
	52 DJ05 36	Cover Side LH Wine Red	1	
9	52 DJ05 35	Cover Side RH Mettalic White	1	
	52 DJ05 33	Cover Side RH Saffire Blue	1	
	52 DJ05 37	Cover Side RH Wine Red	1	
10	36 DK01 05	Kit Pulsar Dcl Satin Crome-LH	1	
	36 DK01 06	Kit Pulsar Dcl Satin Crome-RH	1	
11	36 DJ40 44	Kit S Cover Dcl M White	1	
	36 DJ40 45	Kit S Cover Dcl S Blue	1	
	36 DJ40 43	Kit S Cover Dcl W Red	1	



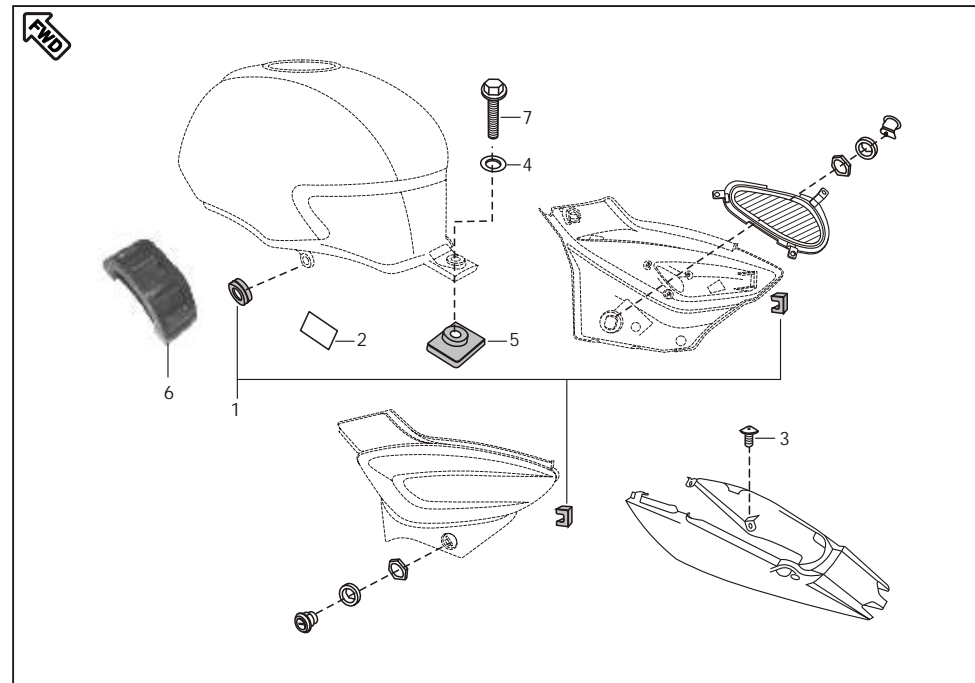
No.	Part No.	Description	Qty/ Veh.	Remarks
1	DK 7105 2V	Fuel Tank	1	For Wine Red
	DK 7105 4K	Fuel Tank	1	For Plasma Blue
	DK 7105 4L	Fuel Tank	1	For Grey Silver
	DK 7105 4M	Fuel Tank	1	For Midnight Black
	DK 7105 5C	Fuel Tank	1	For Orange
2	JC 7201 2V	Tank Flap LH	1	For Wine Red
	JC 7201 4K	Tank Flap LH	1	For Plasma Blue
	JC 7201 4L	Tank Flap LH	1	For Grey Silver
	JC 7201 4M	Tank Flap LH	1	For Midnight Black
	JC 7201 5C	Tank Flap LH	1	For Orange
3	JC 7202 2V	Tank Flap RH	1	For Wine Red
	JC 7202 4K	Tank Flap RH	1	For Plasma Blue
	JC 7202 4L	Tank Flap RH	1	For Grey Silver
	JC 7202 4M	Tank Flap RH	1	For Midnight Black
	JC 7202 5C	Tank Flap RH	1	For Orange
4	DH 7401 2V	Fairing	1	For Wine Red
	DH 7401 4K	Fairing	1	For Plasma Blue
	DH 7401 4L	Fairing	1	For Grey Silver
	DH 7401 4M	Fairing	1	For Midnight Black
	DH 7401 5C	Fairing	1	For Orange



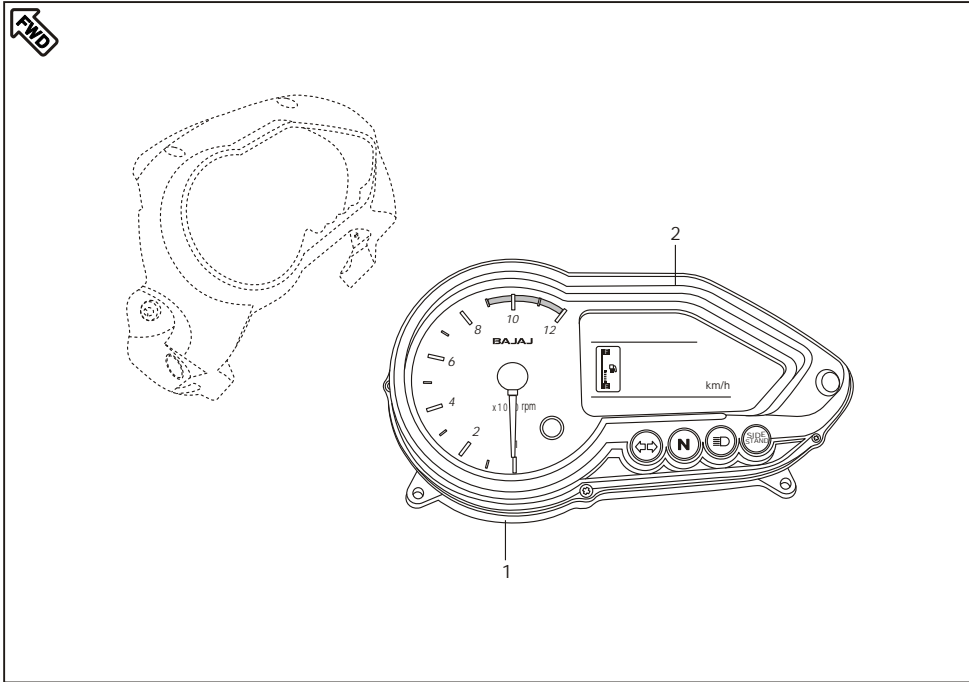
No.	Part No.	Description	Qty/ Veh.	Remarks
5	36 DH40 34	Kit Decal Tank 200SF Bl (LH&RH)	1	D-43 - 03.10.2011
	36 DH40 37	Kit Decal Tank 200SF Red	1	D-43 - 03.10.2011
	36 DK00 82	Kit Decal Tank 220F Bl	--	D-43 - 03.10.2011
	36 DK00 86	Kit Decal Tank 220F Rd	--	D-43 - 03.10.2011
	6	36 DK00 84	Kit Decal Sd Cover Blue	1
36 DK00 88		Kit Decal Sd Cover Red	1	D-43 - 03.10.2011
7	36 DK00 85	Kit Decal Cowl 220F Blue	--	D-43 - 03.10.2011
	36 DK00 89	Kit Decal Cowl 220F Red	--	D-43 - 03.10.2011
	36 DH40 36	Kit Decal Cowl 200SF Bl	1	D-43 - 03.10.2011
	36 DH40 39	Kit Decal Cowl 200SF Rd	1	D-43 - 03.10.2011
8	36 DK00 83	Kit Decal Fairing 220F Bl	--	D-43 - 03.10.2011
	36 DK00 87	Kit Decal Fairing 220F Rd	--	D-43 - 03.10.2011
	36 DH40 35	Kit Decal Fairing 200SF Bl	1	D-43 - 03.10.2011
	36 DH40 38	Kit Decal Fairing 200SF Rd	1	D-43 - 03.10.2011



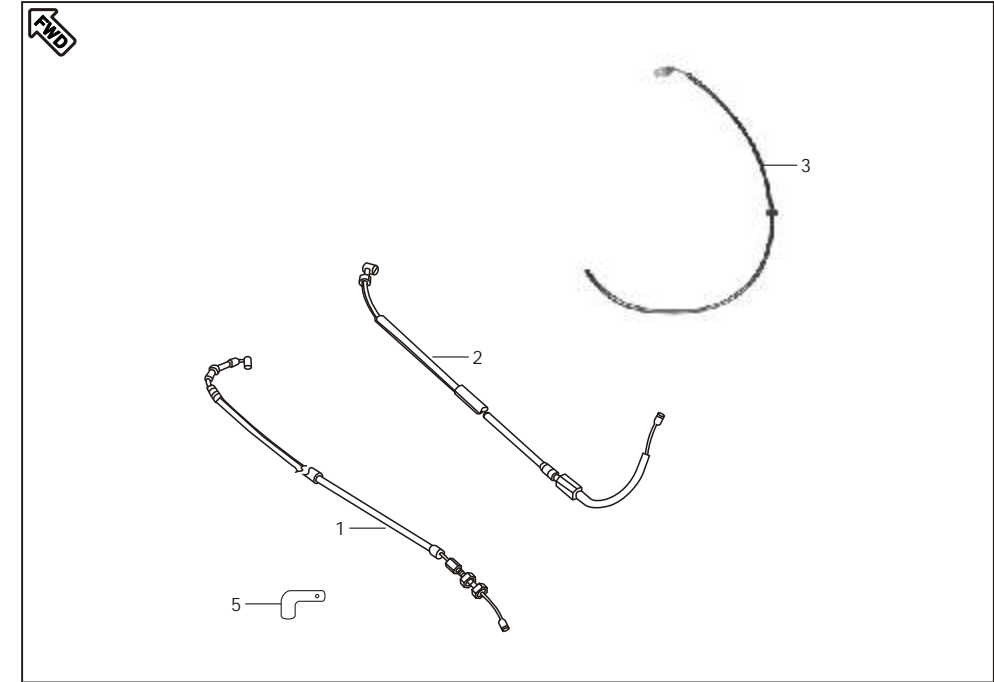
No.	Part No.	Description	Qty/ Veh.	Remarks
1	DK 1410 14	Cap Assly. Tank	1	
2	39 0840 01	Pan head screw	1	
3	39 2381 04	Hex. Soc Hd. cap screw	7	
4	DK 1410 01	Tap Assly	1	
5	JC 1410 34	Spring drain tube	1	
6	30 1410 36	Packing	1	
7	DD 1410 22	Bolt flanged	2	
8	39 0740 11	Plain Washer	2	
9	DK 2010 65	Gauge Fuel (Tank Unit)	1	
10	39 2758 21	Gasket fuel Gauge	1	
11	30 1410 32	Bolt	4	
12	DJ 1410 06	Tube fuel	1	Alt. 52 DJ03 13
13	BA 1220 03	Pipe clip	1	
14	DH 1410 24	Drain tube	1	



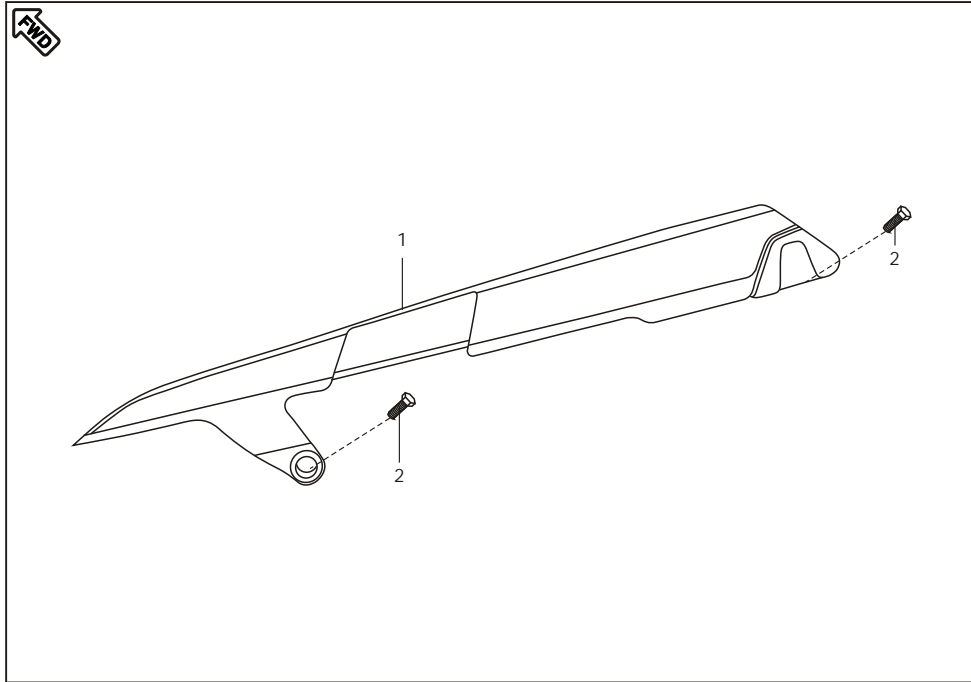
No.	Part No.	Description	Qty/ Veh.	Remarks
1	DK 1611 85	Grommet Kit For side cover	1	Ref. Page No. 69
2	DH 1410 31	Tape tank inner	2	
3	39 1607 01	Screw	2	
4	39 2424 11	Plain Washer	1	
5	DH 1410 23	Damper Rear	1	
6	DJ 1410 08	Damper front	2	
7	39 1556 04	Flanged Bolt	1	



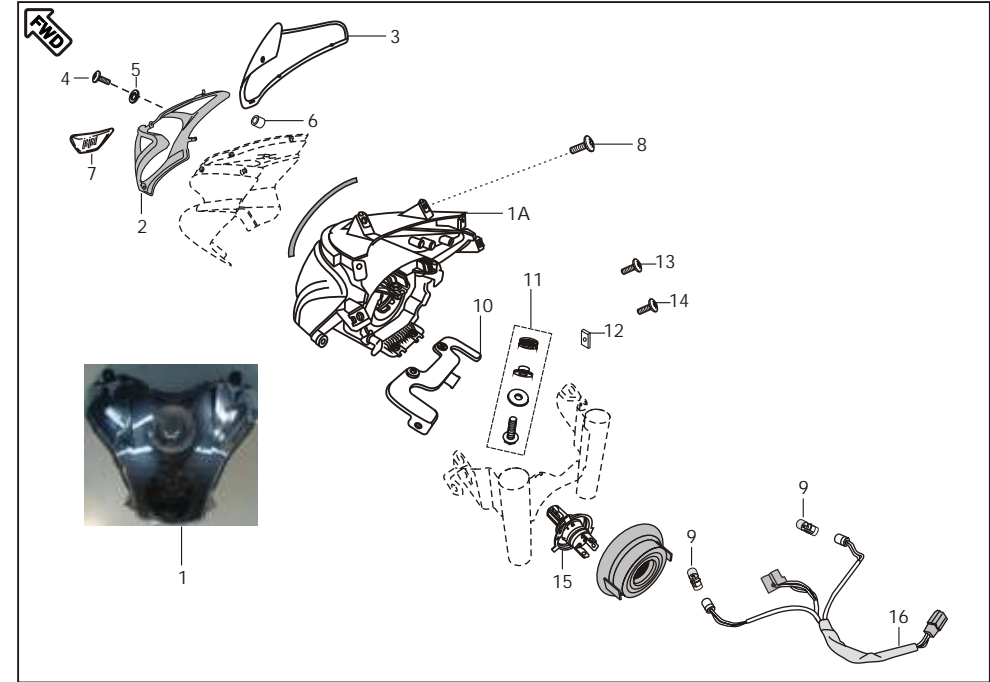
No.	Part No.	Description	Qty/ Veh.	Remarks
1	JC 1910 18	Meter Assly / Instrument Cluster	1	(For F)
	DK 1910 35	Meter Assly / Instrument Cluster	1	(For F) D-48-17.08.2012
	JC 1910 14	Instrument Cluster	1	(For S)
2	DJ 2011 59	Speedometer top cover	1	
3	DJ 2011 82	Speedo gasket	1	
4	39 1970 15	Nut Flange M8 (fairing Fit.)	2	(For F) D-48-17.08.2012
5	DK 1613 24	Sleeve Speedometer Support	2	(For F) D-48-17.08.2012
6	DK 1613 23	Bracket Speedometer Support	1	(For F) D-48-17.08.2012
7	DK 1610 81	Grommet Speedo Bkt	2	(For F) D-48-17.08.2012
8	39 1970 15	Nut Flange M8	2	(For F) D-48-17.08.2012
9	LA D000 77	Bolt Flanged (speedo Bkt Fit.)	2	(For F) D-48-17.08.2012



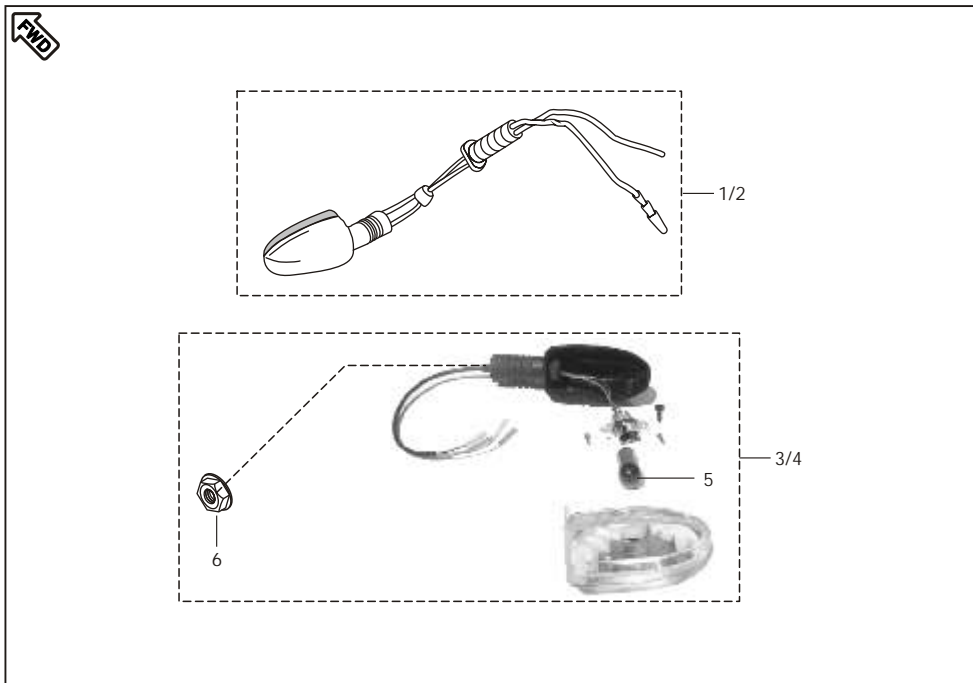
No.	Part No.	Description	Qty/ Veh.	Remarks
1	JC 1910 19	Assembly Throttle	1	
2	JC 1910 04	Cable Clutch	1	
3	DK 2010 98	Sensor speedometer cable	1	(F) With Sleeve
4	JC 2010 46	Stopper	1	
5	59 2100 19	O-Ring	1	
6	39 0900 12	Washer Spring	1	
7	39 0840 01	Screw Pan Head	1	



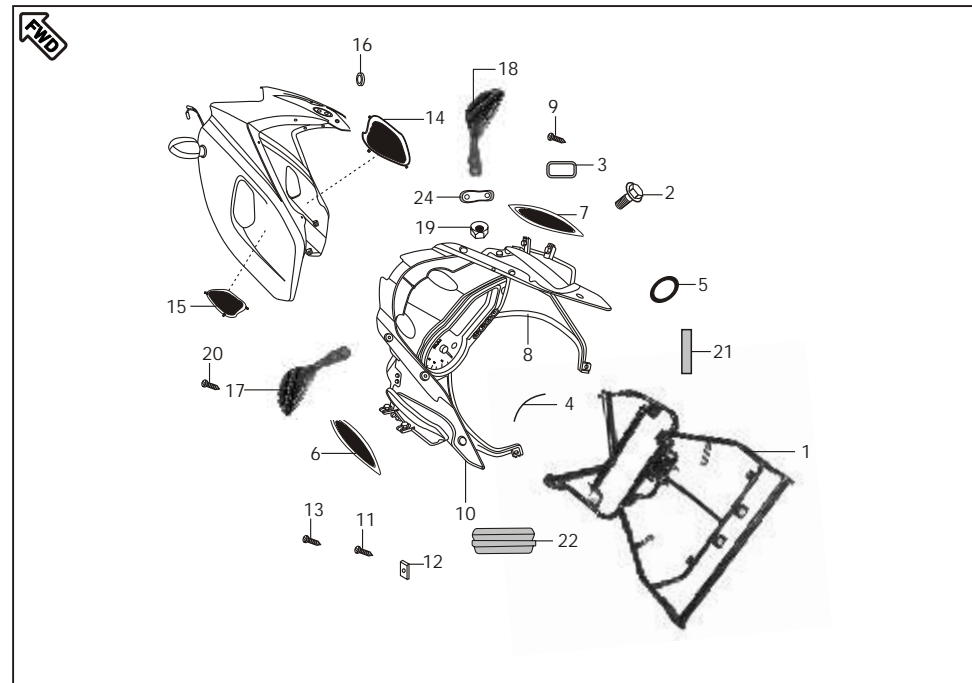
No.	Part No.	Description	Qty/ Veh.	Remarks
1	DK 1612 50	Cover chain	1	
2	DS 1612 24	Bolt	2	



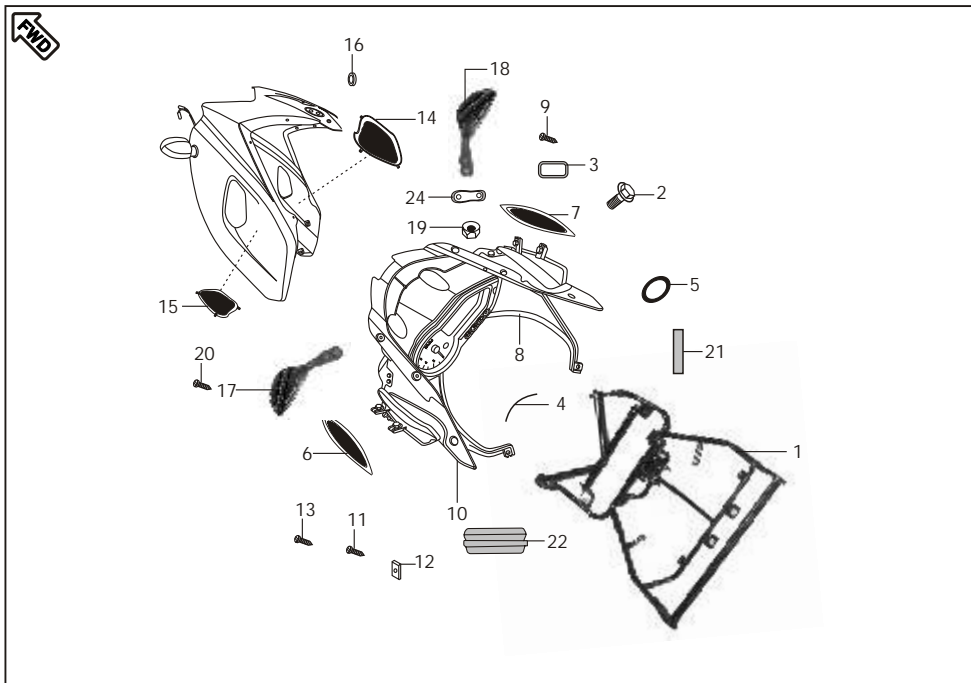
No.	Part No.	Description	Qty/ Veh.	Remarks
1	DK 2010 56	Head Lamp assly. without bulb	1	(For F)
1A	DJ 2011 76	Head Lamp assly. without bulb	1	(For S)
2	DJ 1811 20	Back cover	1	
3	DK 1610 69	Wind Shield	1	(For F)
	DJ 1810 33	Wind Shield	1	(For S)
4	DF 1810 98	Bolt	4	
5	39 2141 24	Non Metallic Washer	4	
6	DL 1810 10	Well Nut	4	
7	DK 1612 08	Decal Wind Shield	1	
8	39 1907 01	M5 x 15L mushroom HD	2	
9	DK 2010 44	Bulb	2	
10	DH 1810 52	Fairing mounting upper bracket	1	
11	36 DK00 21	Kit hardware mtg. bracket	1	Ref. page no. 69
12	DJ 1810 65	Clip Nut	4	
13	39 0716 01	Screw pan cross	2	
14	39 1524 01	Screw pan cross	2	
15	DK 2010 43	Headlight bulb	2	(For F)
	JC 2010 09	Headlight bulb	1	(For S)
16	DK 2011 17	Wiring harness for HL	1	(For F)
	DJ 2012 30	Wiring harness for HL	1	(For S)



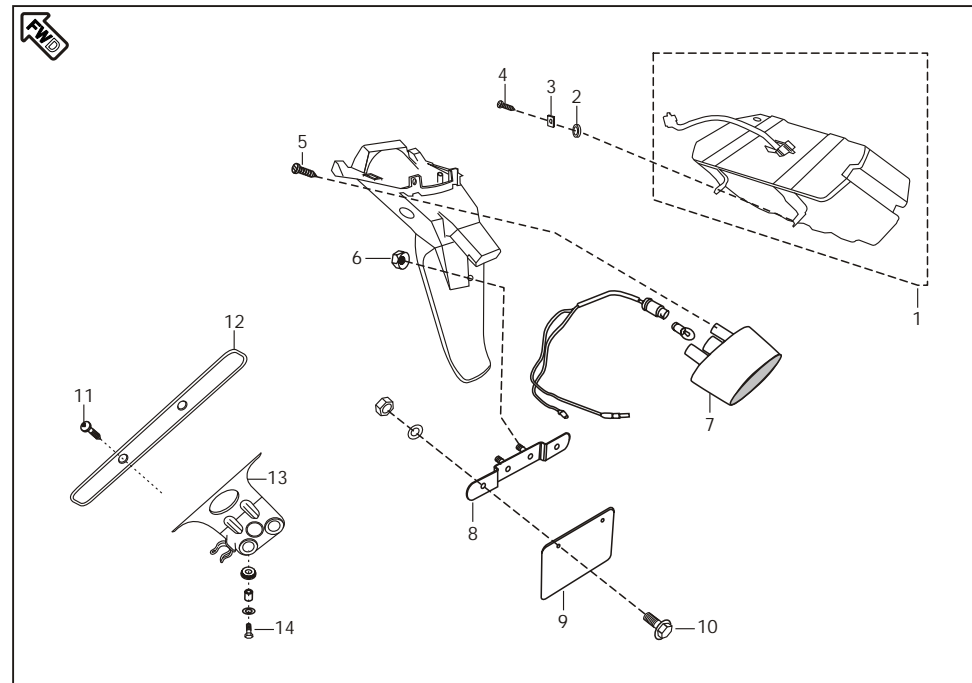
No.	Part No.	Description	Qty/ Veh.	Remarks
1	DJ 2012 08	Indicator front LH	1	
2	DJ 2012 09	Indicator front RH	1	
3	DJ 2012 06	Indicator rear LH	1	
4	DJ 2012 07	Indicator rear RH	1	
5	GH 2010 12	Lamp	1	
6	39 1970 15	Hex Nut Flange	4	



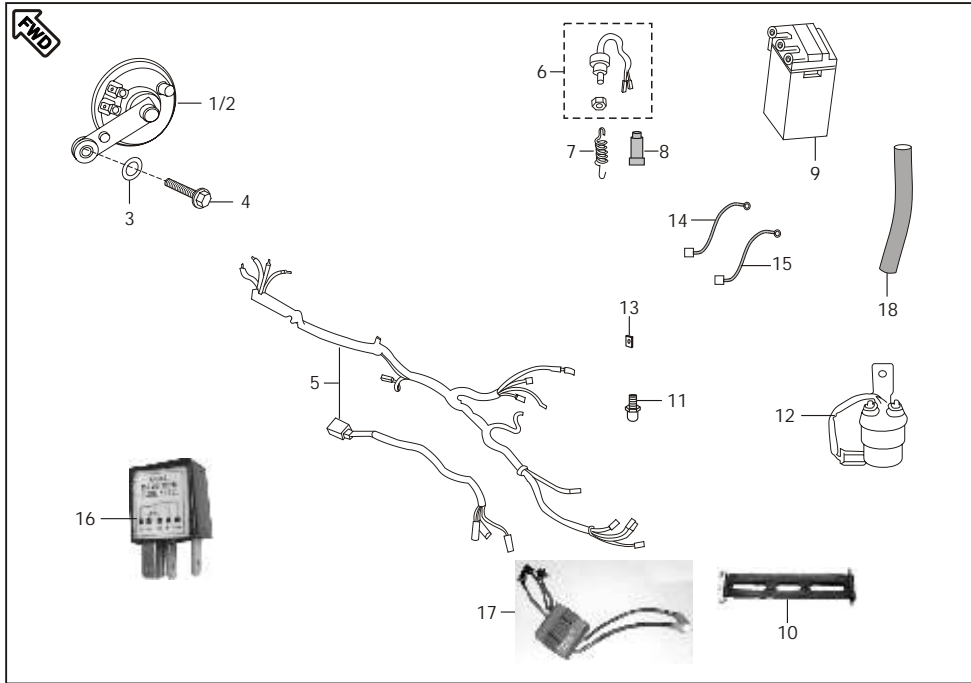
No.	Part No.	Description	Qty/ Veh.	Remarks
1	DK 1613 17	Faring mtg. structure	1	D-48 (Old P. No.52DK0144)
2	39 1957 04	Flange bolt	2	
	39 1956 04	Flange bolt	2	
3	DK 1610 81	Rubber grommet Fairing mtg.	4	
4	DK 1610 82	Sleeve Fairing	1	
5	DK 1611 26	Damper for fairing	4	
6	DK 1610 70	Fairing air intake LH	1	
7	Dk 1610 71	Fairing air intake RH	1	
8	DK 1610 72	Fairing under cover	1	
9	59 0200 01	Self tapping screw	4	
10	DK 1610 73	Fairing back cover assly.	1	
11	39 1778 02	Self tapping screw for speedo	1	
12	DJ 1612 29	Clip nut	1	
13	39 1907 01	Screw	12	
14	DK 1611 76	Fairing mesh LH	1	
15	DK 1610 77	Fairing mesh RH	1	



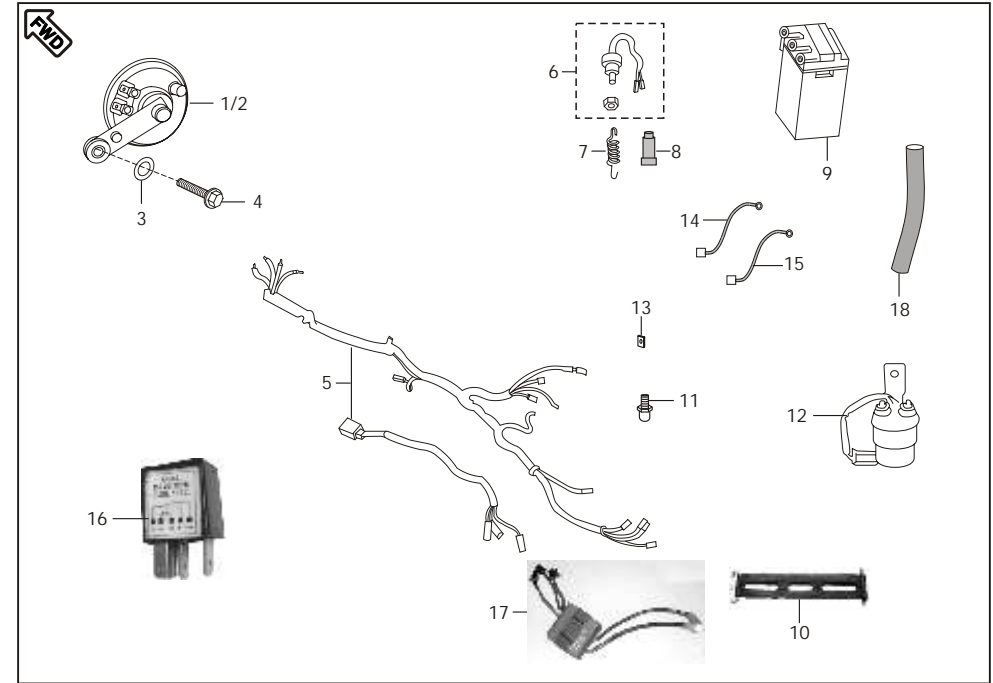
No.	Part No.	Description	Qty/ Veh.	Remarks
16	39 1918 24	Washer	6	
17	DK 2210 14	Mirror assly. LH	1	(For F)
	DJ 2210 03	Mirror assly. LH	1	(For S)
18	DK 2210 15	Mirror assly. RH	1	(For F)
	DJ 2210 04	Mirror assly. RH	1	(For S)
19	DK 2210 01	Nut for mirror	1	
20	59 0200 01	Screw (self tapping)	6	
21	DK 1612 10	Tape	16	
22	JN 1814 06	Beading	1	
23	DK 1611 52	Nylon bush for fairing	2	
24	DK 1611 25	Rubber for mirror	2	



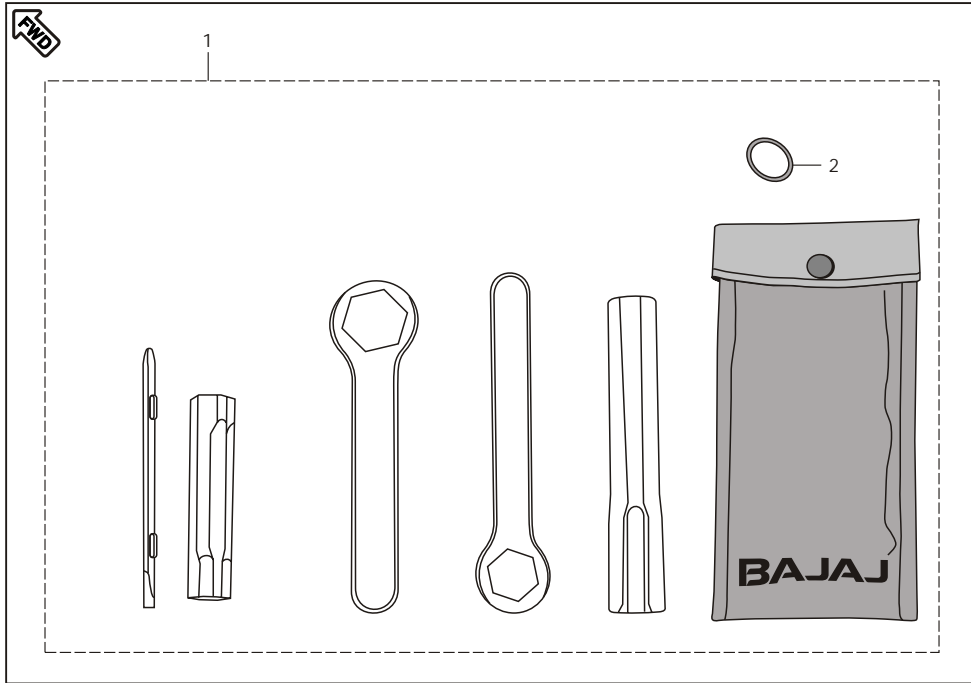
No.	Part No.	Description	Qty/ Veh.	Remarks
1	DK 2010 03	Tail light with Lamp	1	
2	DH 1612 93	Damper	2	
3	DK 1611 53	Clip Nut	4	
4	59 0100 13	Screw pan cross	4	
5	39 0705 01	Truss Screw	2	
6	39 1972 15	Bolt flange	2	
7	JW 4010 11	No. Plate illumination	1	
8	DJ 1610 72	Rear No. plate bkt.	1	
9	DP 1611 45	Number plate Rear	1	
10	39 1680 04	Hex Flanged Bolt	2	
11	39 1783 01	Truss Screw	2	For Front No. Plate
12	DP 1611 44	Number plate front	1	
13	DS 1810 26	No. plate mounting bracket	1	(For F)
	JC 1810 25	No. plate mounting bracket	1	(For S)
14	39 1773 04	Bolt flange	2	
15	DK 1611 64	Blinker mounting bracket	1	



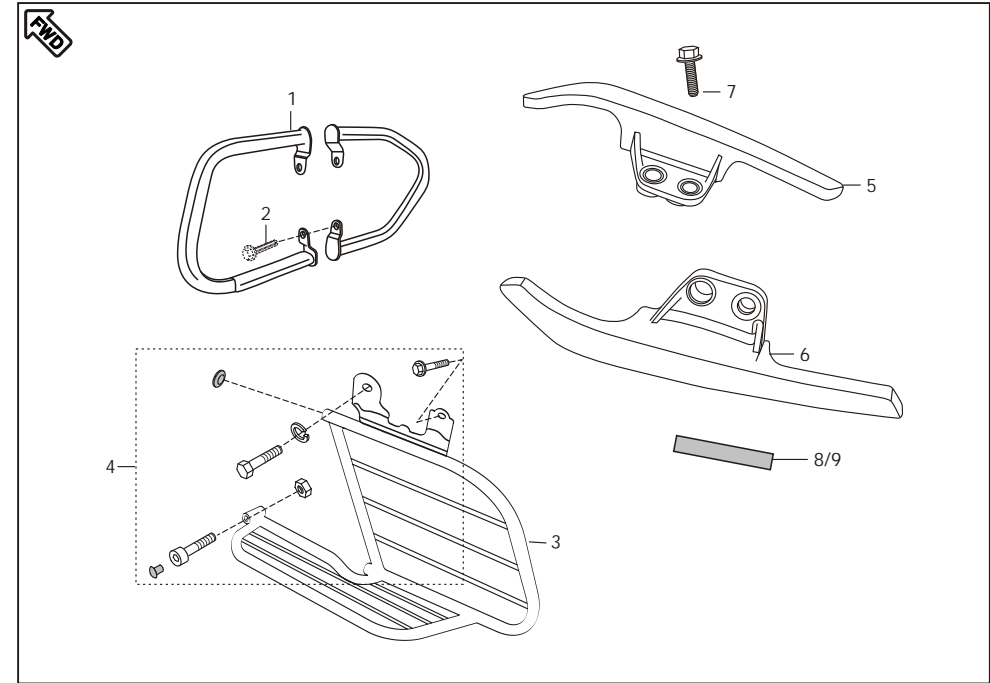
No.	Part No.	Description	Qty/ Veh.	Remarks
1	DK 2011 14	Horn LH stay	1	(For F)
	DK 2010 37	Horn LH stay	1	(For S)
2	DK 2011 15	Horn RH stay	1	(For F)
	DK 2010 38	Horn RH stay	1	(For S)
3	39 1507 11	Plain Washer	1	
4	39 1956 04	Flange Bolt	1	
5	DK 2011 38	Wiring Harness (For F)	1	D-48 (Old P. No.JC201041)
	JC 2010 37	Wiring Harness	1	(For S)
6	31 2010 79	Rear Brake Switch	1	Alt. DS 2010 29
7	DK 1910 14	Spring Brake Switch	1	
8	DH 2010 19	Grommet Rear Brake Switch	1	
9	DJ 2011 25	Battery (12V-9A)	1	N.S.
10	DJ 1612 47	Band Battery	1	
11	39 1551 04	Flange Bolt	1	
12	DK 2010 78	Starter Relay / Damper	1	
13	DJ 1810 65	Clip Nut	4	



No.	Part No.	Description	Qty/ Veh.	Remarks
14	JC 2010 27	Cable assly. (Battery to St. Relay)	1	
15	DJ 2011 40	Cable assly. (Battery to Earth)	1	
16	AL 2010 12	Main relay	1	
17	JC 2010 40	B.C.U.	1	(For F)
	JC 2010 16	B.C.U.	1	(For S)
18	JD 4018 06	Battery Drain Pipe	1	



No.	Part No.	Description	Qty/ Veh.	Remarks
1	DK 2210 11	Tool Kit	1	
*	DF 2010 43	Tool Driver	1	Not service separately
*	DJ 2210 13	Tool Bag	1	Not service separately
*	DJ 2210 12	Tool bar	1	Not service separately
*	DG 2210 10	Tool wrench	1	Not service separately
2	DK 2210 24	"O" ring for tool kit	2	



No.	Part No.	Description	Qty/ Veh.	Remarks
1	36 DK00 33	Leg Guard Kit	1	
2	39 2310 04	Flange bolt	4	
3	DK 1611 76	Sari Guard Assly.	1	
4	36 DK00 23	Kit hardware sari guard	1	Ref. page no. 69
5	DK 1611 47	Grab handle LH	1	Black color
	DK 1612 17	Grab handle LH	1	
6	DK 1611 48	Grab handle RH	1	Black color
	DK 1612 18	Grab handle RH	1	
7	39 2310 04	Bolt Flange	4	
8	DJ 1610 79	Foam LH For grab	1	
9	DJ 1610 80	Foam RH For grab	1	

## KIT LIST



Sr. No.	Kit Part No.	Kit Description	Consisting of Following Parts		
			Part No.	Description	Qty./Kit
1	36DS1001	Cyl. Head O Ring Kit	39239121	O Ring (Cover tappet)	2
			39128321	O ring	2
2	DK101327	Valve Kit	DK101052	Valve Intake	1
			DK101011	Valve Exhaust	1
3	DK101326	Valve Repair Kit	DK101247	Retainer valve spring	2
			DK101108	Spring valve inner	2
			DK101110	Spring valve outer	2
			DK101246	Seat valve spring	2
4	DK101330	Guide Chain Kit	DK101611	Guide chain (Tight)	1
			DK101059	Guide Chain (slack)	1
5	DK101328	Ring set piston	DK101049	Ring piston top	1
			DK101050	Ring piston second	1
			DK101051	Ring piston oil	1
6	36DK0007	Kit centrifugal oil filter	39220011	Washer	1
			DH101234	Gasket centrifugal oil filter	1
			DH101640	Oval screw	3
			DH101066	Join oil delivery	1
			DH101067	Spring oil delivery	1
			39219908	Pin oil delivery joint	1
7	DK101334	Set Damper (cover magneto)	DK101191	Damper Cover Magneto	1
			DH101292	Damper A Cover LH RR	1
			DH101294	Damper B Cover LH RR	1
8	DK101333	Set of Plate (cover magneto)	DK101192	Plate Damper	1
			DH101293	Plate Damper Cover LH RR	1
9	36DK0011	Kit hardware engine mounting	39231204	Bolt flange	4
			39197015	Nut flange	8
			39241304	Bolt flange	1
			DH161245	U Nut	3
10	36DV0007	Bearing cone kit	DG181045	Bearing cone	1
			DG181046	Bearing race	1
			DG181047	Upper bearing race	1
			DG181005	Lower bearing race	1
11	36DK0012	Kit bush rear shock absorber	39071411	Plain washer	8
			39071215	Dome cap nut	2
			39073712	Spring washer	2
12	36DK0013	Kit hardware pillion	DJ161186	Plait side pillion step	2
			DH161061	Pin pillion set	2
			30141031	"O" ring	2
			39104011	Plain washer	2
			39078408	Split pin	2
13	36DK0040	Chain sprocket kit	DV101048	Sprocket drive	1
			DK151010	Sprocket	1
			DK151060	Chain	1

## KIT LIST



	Kit Part No.	Kit Description	Consisting of Following Parts		
			Part No.	Description	Qty./Kit
14	36DK0019	Hardware holder kit LH	30191024	Screw	1
			30191017	Nut	1
			39021911	Plain washer	1
			39072504	Hex bolt	1
15	36DK0021	Kit hardware mtg. bracket	DJ181029	Collar fearing mtg.	1
			DJ181036	Grommet fearing structure	1
			39021111	Plain washer	1
			39155304	Flange bolt	1
16	DK161185	Grommet kit for side cover	DH161158	Grommet side cover front	2
			DH161133	Grommet side cover rear	2
17	36DK0023	Kit hardware saree guard	DH161255	Bolt special	1
			39078912	Washer spring	1
			39008004	Bolt hexagaon	1
			59040013	Bolt hex socket	1
			39029615	Hexagaon nut	1
			DH161144	Cap saree guard	1
18	36DK0050	St. Mtr. Repair Kit	DK111017	Brush assly. kit	1
			DK111019	'O' ring for spigot	1
19	36JC0015	Starter Motor Repair kit	DK111020	Oil Seal for yoke	1
			JC111018	Drive end bracket	1
20	36DK0058	Piston valve assly. Kit	JC111019	Bracket rear end	1
21	DK121048	Pilot screw kit		Piston valve assly.	1
				Spring (CO)	1
				Diaphragm	1
				Holder	1
				Spring	1
				E Spring	1
				Ring	1
				Jet Needle	1
				Ring	1
				Washer	1
22	DK161241	Vacuum Adjuster kit		O ring	1
				Adjuster	1
				Spring	1
				Washer	1
22	DK161241	Vacuum Adjuster kit		O ring	1
22	DK161241	Vacuum Adjuster kit		Spring	1
				Adjust Screw	1
				Packing	1





## PART INDEX



Part No.	Figure No.	Page No.
39193120	6	6
39194304	19	47
39195504	13	26
39195604	2	63
39195604	4	66
39195704	2	63
39196704	10	29
39197015	4	58
39197015	6	62
39197015	8	58
39197215	6	65
39199020	22	16
39199715	6	40
39201719	5	3
39213217	5	5
39214124	5	61
39215220	5	7
39215704	7	29
39215811	2	8
39216011	9	8
39216511	3	6
39218006	8	12
39218106	2	5
39218106	11	12
39218106	15	2
39218304	2	6
39218819	4	13
39218919	11	13
39219019	12	13
39219421	6	25
39220011	17	19
39220307	8	6
39224120	2	37
39231004	2	69
39231004	5	42
39231004	7	69
39231004	13	29
39231004	14	42
39231104	14	29
39238104	3	56

Part No.	Figure No.	Page No.
39241204	8	29
39242411	4	57
39244011	9	3
39244311	17	16
39244811	24	14
39245304	6	11
39245711	15	29
39247504	8	32
39248104	7	42
39255717	7	7
39258320	6	12
39260120	9	12
39260320	8	13
39260607	7	10
39260801	10	2
39261720	11	18
39263704	8	21
39263904	6	10
39264715	6	1
39266921	1	4
39268620	2	40
39268720	3	40
39275821	10	56
59010013	4	65
59020001	9	63
59020001	10	51
59020001	20	64
59040005	17	49
59040023	8	1
59040040	2	34
59040043	11	29
59050002	2	2
59050002	2	13
59050002	3	12
59110002	9	3
59200006	9	13
59200007	9	28
59200007	17	28
59200027	7	12
59200028	10	13

## PART INDEX



Part No.	Figure No.	Page No.
59200028	13	7
59210006	5	13
59210019	5	59
36DH4010	13	22
36DH4034	5	55
36DH4035	8	55
36DH4036	7	55
36DH4037	5	55
36DH4038	8	55
36DH4039	7	55
36DH4048	1	38
36DJ4030	28	47
36DJ4043	11	53
36DJ4044	11	53
36DJ4045	11	53
36DK0007	12	6
36DK0011	4	29
36DK0012	3	31
36DK0013	5	33
36DK0019	12	46
36DK0021	11	61
36DK0023	4	69
36DK0033	1	69
36DK0040	9	40
36DK0045	11	28
36DK0050	D	27
36DK0051	E	27
36DK0058	2	20
36DK0059	8	20
36DK0060	9	20
36DK0061	16	20
36DK0062	15	20
36DK0065	9	39
36DK0066	10	39
36DK0067	12	44
36DK0068	11	44
36DK0069	2	43
36DK0070	2A	43
36DK0071	4	43
36DK0076	1	28

Part No.	Figure No.	Page No.
36DK0082	5	55
36DK0083	8	55
36DK0084	6	55
36DK0085	7	55
36DK0086	5	55
36DK0087	8	55
36DK0088	6	55
36DK0089	7	55
36DK0090	1	1
36DK0090	1	2
36DK0091	28	47
36DK0096	4	52
36DK0097	6	52
36DK0098	5	52
36DK0099	4	52
36DK0100	6	52
36DK0101	5	52
36DK0102	4	52
36DK0103	6	52
36DK0104	5	52
36DK0105	10	53
36DK0106	10	53
36DS1001	3	1
36DS1001	11	2
36DV0008	5	30
52DH0169	1	25
52DH0177	10	7
52DH0528	2	50
52DH0529	3	50
52DH0530	2	50
52DH0531	3	50
52DH0532	2	50
52DH0533	3	50
52DH0534	2	50
52DH0535	3	50
52DH0624	1	17
52DH0686	1	17
52DJ0520	7	52
52DJ0521	7	52
52DJ0522	7	52

## PART INDEX



Part No.	Figure No.	Page No.
52DJ0532	8	53
52DJ0533	9	53
52DJ0534	8	53
52DJ0535	9	53
52DJ0536	8	53
52DJ0537	9	53
52DK0172	1	17
52DK0200	7	51
52DK0201	7	51
52DK0203	1	17
52DK0204	1	15
52DK0263	2	52
52DK0264	2	52
52DK0265	2	52
52DK0267	1	52
52DK0268	1	52
52DK0269	1	52
52JN0136	2	1
56DK4527	3	52
56DK455N	3	52
56DK455Y	3	52
AL201012	16	67
AP101043	8	17
AP121064	6	22
BA122003	13	56
CS101128	14	4
DD101062	15	4
DD111012	10	26
DD121007	10	5
DD141022	7	56
DE151008	6	37
DE151012	5	37
DE151037	6	39
DE151043	7	39
DE151046	4	39
DE151047	5	39
DE151048	3	39
DE191010	5	38
DE191010	11	42
DE191011	4	38

Part No.	Figure No.	Page No.
DE191029	13	38
DE191030	10	38
DE191033	6	38
DE191035	15	38
DF161102	9	35
DF181098	4	61
DF201043	1	68
DG101029	4	3
DG101339	3	45
DG101339	8	45
DG101418	7	15
DG151005	4	37
DG151007	13	37
DG151008	9	37
DG151008	18	41
DG151049	10	37
DG151049	19	41
DG171018	5	31
DG171019	7	31
DG171034	10	31
DG171038	2	31
DG181005	21	49
DG181008	5	46
DG221010	1	68
DH101048	8	4
DH101064	9	6
DH101065	11	6
DH101072	2	7
DH101079	4	8
DH101079	13	8
DH101084	8	8
DH101111	15	8
DH101113	6	26
DH101141	4	15
DH101142	5	15
DH101144	3	11
DH101146	3	10
DH101152	21	16
DH101154	12	15
DH101163	16	28

## PART INDEX



Part No.	Figure No.	Page No.
DH101169	22	14
DH101172	7	28
DH101195	10	6
DH101197	2	15
DH101203	13	13
DH101235	5	8
DH101235	16	9
DH101246	14	13
DH101272	10	1
DH101275	2	18
DH101293	6	17
DH101295	8	3
DH101319	19	9
DH101336	11	8
DH101373	12	7
DH101381	19	27
DH101385	5	28
DH101389	14	28
DH101390	21	14
DH101392	11	4
DH101393	7	11
DH101394	10	11
DH101412	7	4
DH101414	7	5
DH101432	4	7
DH101487	10	12
DH101493	4	10
DH101496	9	10
DH101508	4	2
DH101544	16	16
DH101581	4	28
DH101607	3	23
DH101608	2	23
DH101648	15	19
DH101661	16	14
DH101714	2	11
DH101896	5	12
DH111012	9	2
DH111015	9	26
DH111016	17	27

Part No.	Figure No.	Page No.
DH111081	1	26
DH111083	2	26
DH121010	3	25
DH121011	14	15
DH121012	15	15
DH121020	3	22
DH121035	5	25
DH121063	17	20
DH121101	10	20
DH121142	7	2
DH141020	6	51
DH141023	5	57
DH141024	14	56
DH141031	2	57
DH161046	3	24
DH161053	4	32
DH161066	7	35
DH161100	7	32
DH161112	2	30
DH161121	4	35
DH161145	5	35
DH161146	8	35
DH161189	2	29
DH161190	3	29
DH161194	5	32
DH161273	9	29
DH161293	2	65
DH161377	12	22
DH171019	8	31
DH171019	8	37
DH171019	8	40
DH181022	16	47
DH181040	17	47
DH181052	10	61
DH191007	13	46
DH191008	14	46
DH191017	24	47
DH191019	15	46
DH201019	8	66
DH73034K	4	50

## PART INDEX



Part No.	Figure No.	Page No.
DH73034L	4	50
DH73034M	4	50
DH73035C	4	50
DH73082V	4	50
DH74012V	4	54
DH74014K	4	54
DH74014L	4	54
DH74014M	4	54
DH74015C	4	54
DJ101063	24	9
DJ101064	4	23
DJ101133	6	7
DJ101300	25	9
DJ101302	4	12
DJ121070	11	20
DJ141006	12	56
DJ141008	6	57
DJ151073	8	39
DJ151088	10	40
DJ161067	15	26
DJ161069	8	34
DJ161072	8	65
DJ161079	8	69
DJ161080	9	69
DJ161122	9	33
DJ161124	12	35
DJ161126	1	32
DJ161127	3	32
DJ161128	3	33
DJ161129	4	33
DJ161132	8	30
DJ161133	9	30
DJ161228	7	17
DJ161229	12	63
DJ161247	10	66
DJ171034	16	31
DJ181011	16	47
DJ181033	3	61
DJ181065	12	61
DJ181065	13	66

Part No.	Figure No.	Page No.
DJ181120	2	61
DJ191006	3	38
DJ191009	8	46
DJ191028	7	38
DJ191029	8	38
DJ191030	9	38
DJ191032	11	38
DJ191055	9	46
DJ201106	11	35
DJ201109	12	38
DJ201125	9	66
DJ201140	15	67
DJ201140	23	14
DJ201159	2	58
DJ201176	1A	61
DJ201182	3	58
DJ201195	20	47
DJ201202	12	26
DJ201206	3	62
DJ201207	4	62
DJ201208	1	62
DJ201209	2	62
DJ201230	16	61
DJ221003	17	64
DJ221004	18	64
DJ221012	1	68
DJ221013	1	68
DK101003	3	2
DK101063	1	5
DK101064	10	4
DK101065	1	6
DK101072	13	19
DK101092	3	5
DK101094	3	13
DK101097	6	13
DK101102	6	8
DK101103	3	8
DK101105	12	8
DK101126	14	19
DK101135	10	10

## PART INDEX



Part No.	Figure No.	Page No.
DK101144	10	8
DK101159	1	10
DK101160	2	10
DK101176	6	28
DK101177	11	11
DK101180	12	11
DK101182	4	11
DK101184	2	45
DK101185	5	45
DK101186	4	45
DK101187	6	45
DK101225	2	21
DK101237	10	21
DK101241	13	6
DK101245	21	9
DK101248	7	6
DK101251	6	15
DK101252	11	15
DK101253	9	11
DK101279	16	21
DK101284	18	27
DK101326	6	3
DK101327	7	3
DK101328	4	5
DK101330	5	4
DK101340	3	21
DK101352	22	9
DK101361	8	10
DK101366	9	21
DK101380	18	14
DK101386	9	4
DK101469	19	16
DK101471	1	8
DK101475	5	23
DK101480	13	15
DK101482	1	23
DK101503	14	2
DK101560	1	18
DK101563	3	18
DK101564	4	18

Part No.	Figure No.	Page No.
DK101565	7	18
DK101566	6	18
DK101567	6	18
DK101568	6	18
DK101569	5	18
DK101570	18	19
DK101571	19	19
DK101572	8	18
DK101573	12	18
DK101574	10	18
DK101577	26	14
DK101581	1	13
DK101592	8	5
DK101596	15	28
DK101605	2	28
DK101610	7	23
DK101613	1	12
DK101614	2	4
DK101625	6	5
DK101630	6	21
DK101631	7	21
DK101632	7	8
DK101634	1	21
DK101635	13	21
DK101636	16	19
DK101717	17	9
DK101718	14	8
DK101719	20	9
DK101720	18	9
DK101725	8	11
DK101732	5	10
DK101733	1	11
DK101738	18	16
DK101748	1	3
DK101751	2	3
DK101755	3	3
DK101762	5	17
DK101769	1	12
DK101770	13	28
DK101774	1	1

## PART INDEX



Part No.	Figure No.	Page No.
DK101774	1	2
DK101776	1	7
DK111016	A	27
DK111021	B	27
DK111028	5	26
DK111040	7	22
DK111072	11	26
DK121008	9	22
DK121009	2	22
DK121015	8	22
DK121022	10	22
DK121038	1	22
DK121039	11	22
DK121041	3	20
DK121042	4	20
DK121043	5	20
DK121044	6	20
DK121045	7	20
DK121047	13	20
DK121048	14	20
DK121051	18	20
DK121082	6	2
DK141001	4	56
DK141014	1	56
DK141015	11	51
DK151008	14	37
DK151009	7	40
DK151012	16	41
DK151013	12	40
DK151015	13	40
DK151017	17	41
DK151022	5	40
DK151023	6	42
DK151024	1	40
DK151026	5	36
DK151027	7	37
DK151028	3	37
DK151031	1	43
DK151032	2	42
DK151033	3	42

Part No.	Figure No.	Page No.
DK151034	4	42
DK151036	21	41
DK151038	12	42
DK151039	2	36
DK151040	4	36
DK151041	3	44
DK151042	5	43
DK151045	8	42
DK151050	3	36
DK151054	1	39
DK151057	2	38
DK151059	1	42
DK151059	1	44
DK151063	9	42
DK151064	4	44
DK151065	5	44
DK151066	7	44
DK151067	6	44
DK151068	2	44
DK151069	10	42
DK151070	12	44
DK151071	11	44
DK151072	14	38
DK151076	6	43
DK151077	7	43
DK151078	3	43
DK151081	17A	41
DK151082	17B	41
DK151083	13	42
DK151085	15	42
DK151088	8	44
DK151089	9	44
DK151090	10	44
DK161069	3	61
DK161070	6	63
DK161071	7	63
DK161072	8	63
DK161073	10	63
DK161077	15	63
DK161081	3	63

## PART INDEX



Part No.	Figure No.	Page No.
DK161081	4	21
DK161081	7	58
DK161082	4	63
DK161085	6	34
DK161086	3	34
DK161096	1	29
DK161098	1	34
DK161122	1	35
DK161123	8	51
DK161124	9	51
DK161125	24	64
DK161126	5	63
DK161137	1	33
DK161138	2	33
DK161147	5	69
DK161148	6	69
DK161152	23	64
DK161153	3	65
DK161159	5	29
DK161160	6	29
DK161161	12	29
DK161164	15	65
DK161176	3	69
DK161176	14	63
DK161185	1	57
DK161186	14	21
DK161187	15	21
DK161188	11	21
DK161189	12	21
DK161208	7	61
DK161210	12	51
DK161210	21	64
DK161217	5	69
DK161218	6	69
DK161222	16	29
DK161223	17	29
DK161250	1	60
DK161255	13	51
DK161257	13	51
DK161259	18	21

Part No.	Figure No.	Page No.
DK161260	18	21
DK161263	18	21
DK161264	18	21
DK161308	2	33
DK161309	1	33
DK161317	1	63
DK161323	6	58
DK161324	5	58
DK171003	9	31
DK171006	6	31
DK171011	4	31
DK181006	6	48
DK181007	5	48
DK181008	24	49
DK181009	28	49
DK181010	7	48
DK181011	9	48
DK181012	29	49
DK181013	26	49
DK181017	25	49
DK181018	16	49
DK181019	2	48
DK181022	11	48
DK181023	12	48
DK181024	22	49
DK181025	23	49
DK181030	1	46
DK181032	3	46
DK181034	27	47
DK181036	21	47
DK181037	15A	48
DK181039	4	46
DK181048	15	48
DK181050	6	30
DK181051	10	30
DK181056	3	48
DK181057	4	48
DK181063	1	46
DK181070	8	48
DK181071	14	48

## PART INDEX



Part No.	Figure No.	Page No.
DK181072	1	48
DK181073	10	48
DK181074	14	51
DK181075	3	30
DK181076	4	30
DK181081	4	46
DK181082	22	47
DK181085	3	46
DK181086	23	47
DK191012	1	45
DK191013	7	45
DK191014	7	66
DK191035	1	58
DK201003	1	65
DK201014	25	47
DK201015	18	47
DK201037	1	66
DK201038	2	66
DK201043	15	61
DK201044	9	61
DK201056	1	61
DK201065	9	56
DK201076	2	46
DK201078	12	66
DK201083	20	47
DK201098	3	59
DK201098	15	37
DK201114	1	66
DK201115	2	66
DK201117	16	61
DK201138	5	66
DK201139	12	26
DK201140	6	46
DK201141	7	46
DK211001	1	24
DK211004	4	24
DK211008	5	24
DK221001	19	64
DK221011	1	68
DK221014	17	64

Part No.	Figure No.	Page No.
DK221015	18	64
DK221015	26	47
DK221022	25	47
DK221023	26	47
DK221024	2	68
DK71032V	1	50
DK71034K	1	50
DK71034L	1	50
DK71034M	1	50
DK71035C	1	50
DK71052V	1	54
DK71054K	1	54
DK71054L	1	54
DK71054M	1	54
DK71055C	1	54
DK73042V	5	50
DK73044K	5	50
DK73044L	5	50
DK73044M	5	51
DK74012V	7	51
DK74014K	7	51
DK74014L	7	51
DK74014M	7	51
DK74015C	7	51
DK902627	6	23
DL181010	6	61
DL191014	10	46
DP161144	12	65
DP161145	9	65
DS101071	20	16
DS101084	7	1
DS101096	5	1
DS101154	5	6
DS101166	4	1
DS101215	8	15
DS101276	6	4
DS101333	3	3
DS101335	1	3
DS101336	2	3
DS101353	9	15

## PART INDEX



Part No.	Figure No.	Page No.
DS101353	21	27
DS101366	8	3
DS151073	15	40
DS151074	14	40
DS161125	7	34
DS161224	2	60
DS181026	13	65
DS211005	2	24
DV101042	2	17
DV101048	23	9
DX161067	6	32
GH201012	5	62
JB402202	17	21
JC101029	2	12
JC101034	12	4
JC101085	4	4
JC101086	3	4
JC101112	3	28
JC101115	8	28
JC111007	20	27
JC111010	C	27
JC111022	7	26
JC111023	8	26
JC111028	2	26
JC120017	12	2
JC120024	1	20
JC141034	5	56
JC141039	16	51
JC141040	16	51
JC141049	15	51
JC141053	15	51
JC151013	1	36
JC151016	11	40
JC151020	11	37
JC161017	6	35
JC161049	1	30
JC161050	1	30
JC171003	1	31
JC181022	19	49
JC181023	18	49

Part No.	Figure No.	Page No.
JC181024	20	49
JC181025	13	65
JC181029	27	47
JC191004	2	59
JC191014	1	58
JC191018	1	58
JC191019	1	59
JC201009	15	61
JC201016	17	67
JC201017	6	46
JC201018	7	46
JC201027	14	67
JC201037	5	66
JC201040	17	67
JC201045	18	47
JC201046	4	59
JC201050	12	37
JC72012V	2	54
JC72014K	2	54
JC72014L	2	54
JC72014M	2	54
JC72015C	2	54
JC72022V	3	54
JC72024K	3	54
JC72024L	3	54
JC72024M	3	54
JC72025C	3	54
JD401806	18	67
JE541212	9	17
JM171003	11	31
JM171004	12	31
JN181406	22	64
JW401011	7	65
KEBA3715	28	14
LAC00020	29	47
LAD00077	9	58
PD351001	1	26